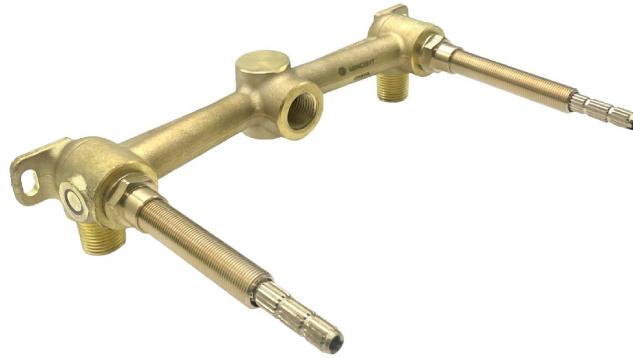




VL-R

### Features

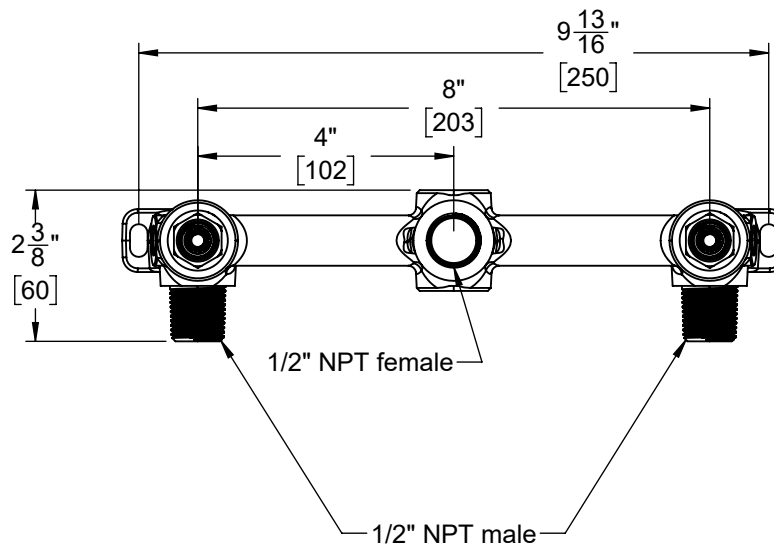
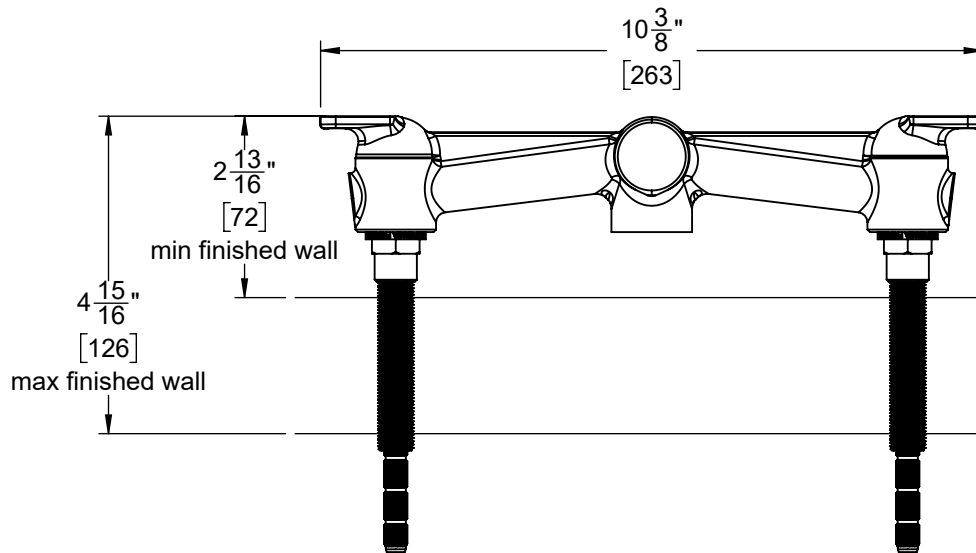
- All brass construction
- 1/4 turn ceramic disc cartridges
- 10gpm (38 L/min) max flow rate



### Codes/Standards Applicable

Product meets or exceeds the following:

- ASME A112.18.1/CSA B125.1
- NSF 61, NSF 372, CEC & DOE
- Commonwealth of MA



THROUGH-HOLE SPECIFICATIONS		
	MIN	RECOMMENDED
SPOUT:	Ø1"	Ø1-1/4"
VALVE:	Ø1-1/4"	Ø1-1/4"

Dimensions are in inches, rounded to 1/16"  
[Dimensions in brackets are mm, rounded to nearest 1mm]