



California Faucets®

**Capitola™**

Two Handle Lavatory Wall Faucet Trim Only

**Features**

- 25+ artisan finishes including 10+ PVD finishes
- All brass construction
- 1.2gpm (4.5 L/min) max flow rate
- Rough valve (VL-R) sold separately
- Handles are available in Brass, Black Glass and Natural Stone Inserts

TO-V8702-7/9  
TO-V8702-7/9-XX  
TO-V8702P-7/9  
TO-V8702P-7/9-XX

**Codes/Standards Applicable**

Product meets or exceeds the following:

- ASME A112.18.1/CSA B125.1
- NSF 61, NSF 372, CEC & DOE
- EPA WaterSense
- Commonwealth of MA
- ADA compliant



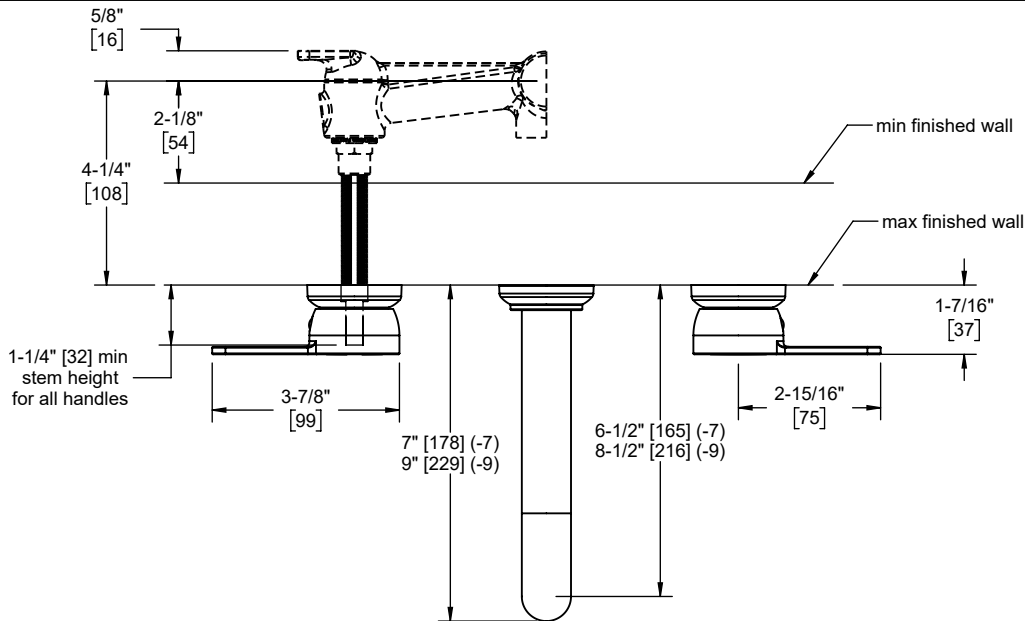
TO-V8702-7-BG shown



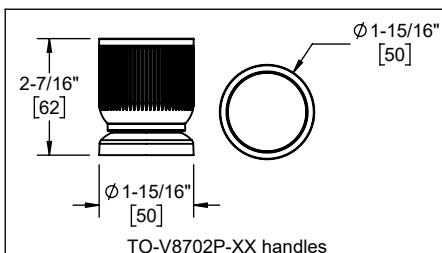
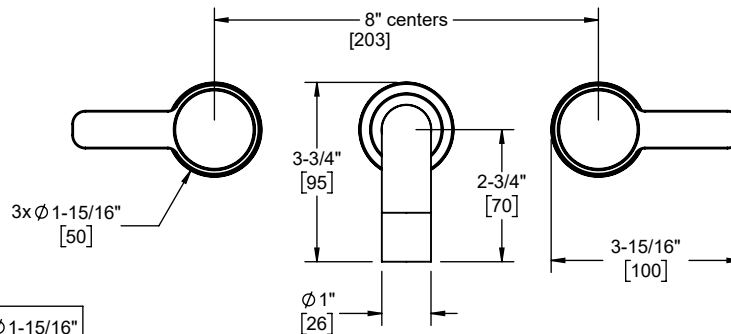
TO-V8702P



XX = Denotes handle insert style



-XX	INSERT STYLE
BG	BLACK GLASS
BKS	BLACK MARBLE
WS	WHITE MARBLE
RS	RED JASPER
GS	GREEN AVENTURINE
BS	BLUE SODALITE
TES	TIGER EYE



	Through-Hole Specifications		
	Min	Recommended	Max
Spout:	Ø 15/16" [24]	Ø 1-1/4" [32]	Ø 1-5/8" [41]
Handle:	Ø 11/16" [17]	Ø 1-1/4" [32]	Ø 1-5/8" [41]

Specifications subject to change without notice

Dimensions are inches, rounded to 1/16"  
[Dimensions in brackets are mm, rounded to 1mm]