

California Faucets®

StyleTherm Vista™

StyleTherm Vista™ Trim Only With 2-Way Outlet

Features

- 25+ artisan finishes including 10+ PVD finishes
- All brass construction
- 2-way outlet non-shared or shared cartridge provided
- Can be mounted vertically or horizontally
- Uses Rough THX-R (sold separately)

Codes/Standards Applicable

Product meets or exceeds the following:

- ASME A112.18.1/CSA B125.1
- ASSE 1016



TO-THQ2-30 shown

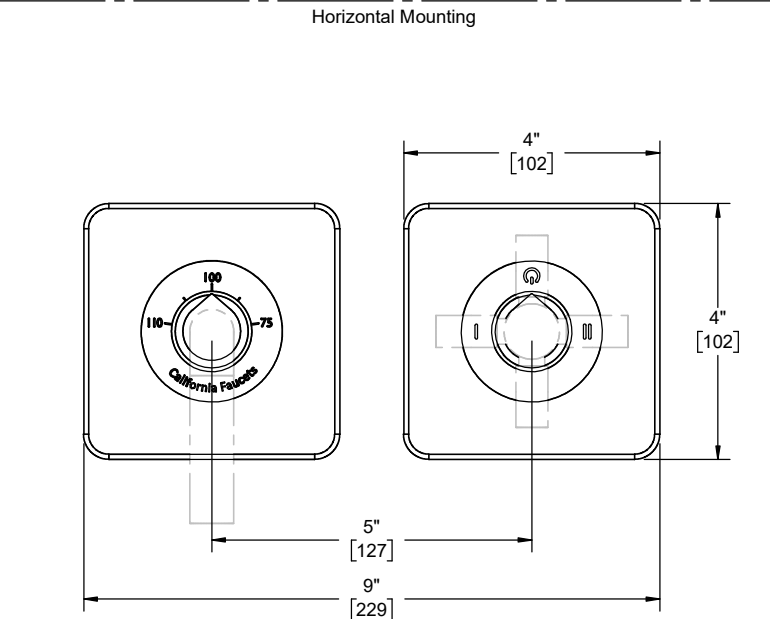
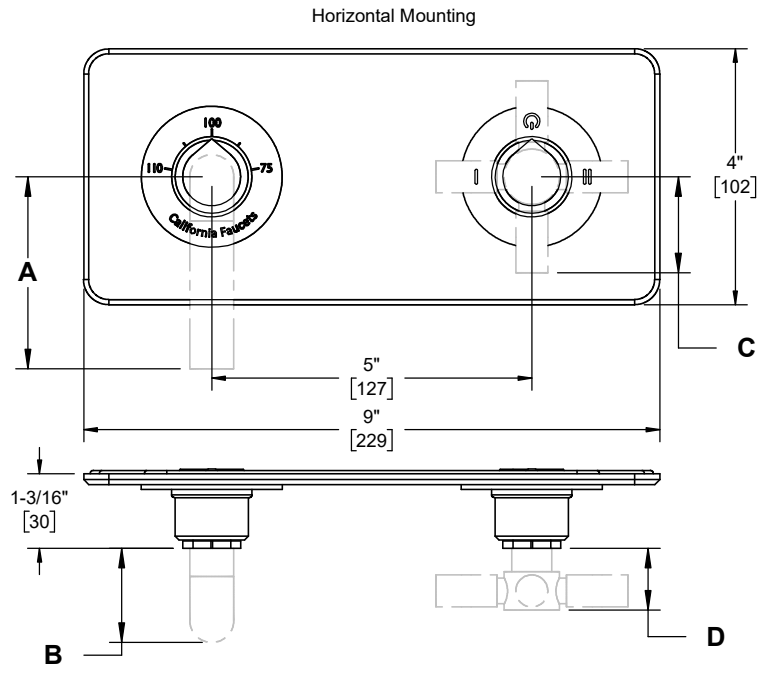
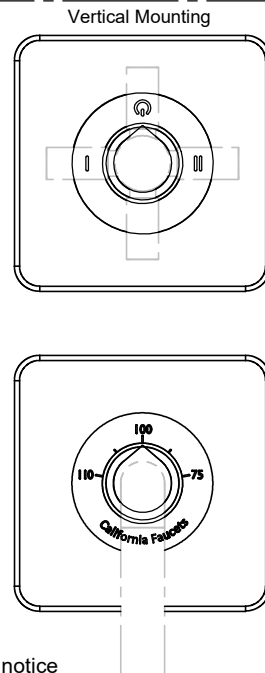
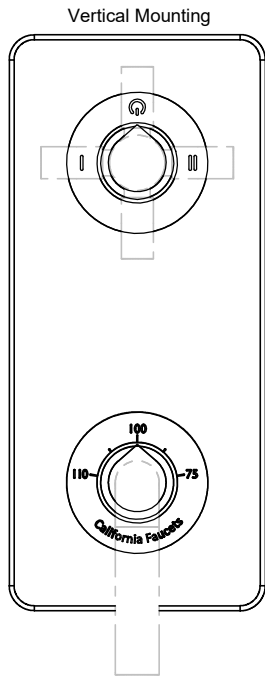


TO-THQQ2-30 shown

TO-THQ2-XX
TO-THQ2S-XX
TO-THQQ2-XX
TO-THQQ2S-XX



xx	A	B	C	D
30	3" [76]	1-1/2" [37]	1-1/2" [38]	15/16" [24]
30X	1-1/2" [38]	15/16" [24]	1-1/2" [38]	15/16" [24]
33	3-1/2" [88]	1-1/4" [31]	1-1/8" [29]	1-9/16" [40]
34	1-1/8" [29]	1-9/16" [40]	1-1/8" [29]	1-9/16" [40]
35	3-1/2" [89]	1-1/4" [31]	1-1/8" [29]	1-9/16" [40]
37	2-7/16" [63]	1-5/16" [34]	1-1/4" [31]	1-9/16" [39]
37X	1-1/4" [31]	1-9/16" [39]	1-1/4" [31]	1-9/16" [39]
46	3-7/16" [87]	1-1/2" [38]	1-3/8" [35]	1-5/16" [33]
47	1-3/8" [35]	1-5/16" [33]	1-3/8" [35]	1-5/16" [33]
48	3-1/8" [79]	1-1/16" [26]	1-1/2" [38]	1-1/16" [26]
48X	1-1/2" [38]	1-1/16" [26]	1-1/2" [38]	1-1/16" [26]
52	2" [51]	1-9/16" [40]	2" [51]	1-9/16" [40]
53	2-5/16" [58]	1-9/16" [40]	2-5/16" [58]	1-9/16" [40]
60	3-1/16" [94]	1-7/16" [37]	1-1/4" [31]	1-1/4" [31]
60X	1-1/4" [31]	1-1/4" [31]	1-1/4" [31]	1-1/4" [31]
61	3-3/16" [80]	1-1/4" [31]	1-3/8" [35]	1-9/16" [40]
61XD	1-3/8" [35]	1-9/16" [40]	1-3/8" [35]	1-9/16" [40]
80	3-1/4" [83]	1-1/8" [29]	1-1/8" [29]	15/16" [24]
80W	1-1/8" [29]	15/16" [24]	1-1/8" [29]	15/16" [24]
85	3-1/8" [80]	2-5/8" [66]	1-1/2" [38]	2-1/2" [64]
85B	1-1/2" [38]	2-1/2" [64]	1-1/2" [38]	2-1/2" [64]
85W	1-1/2" [38]	2-3/16" [55]	1-1/2" [38]	2-3/16" [55]
87	2-15/16" [75]	15/16" [24]	2-15/16" [75]	15/16" [24]
C1	3-5/8" [92]	1-3/8" [35]	1-1/2" [38]	1-1/4" [32]
C1X/S	1-1/2" [38]	1-1/4" [32]	1-1/2" [38]	1-1/4" [32]



Specifications subject to change without notice

Dimensions are inches, rounded to 1/16"
[Dimensions in brackets are mm, rounded to 1mm]