

California Faucets®

StyleTherm Vista™

StyleTherm Vista™ Trim Only With 2-Way Outlet

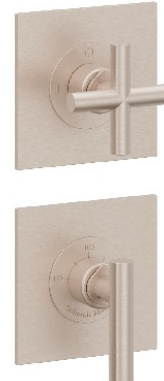
Features

- 25+ artisan finishes including 10+ PVD finishes
- All brass construction
- 2-way outlet non-shared or shared cartridge provided
- Can be mounted vertically or horizontally
- Uses Rough THX-R (sold separately)

TO-THF2-XX-ZZ
TO-THF2S-XX-ZZ
TO-THFF2-XX-ZZ
TO-THFF2S-XX-ZZ



TO-THF2-66 shown



TO-THFF2-66 shown

Codes/Standards Applicable

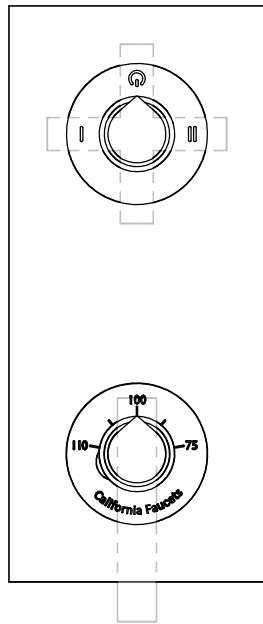
Product meets or exceeds the following:

- ASME A112.18.1/CSA B125.1
- ASSE 1016

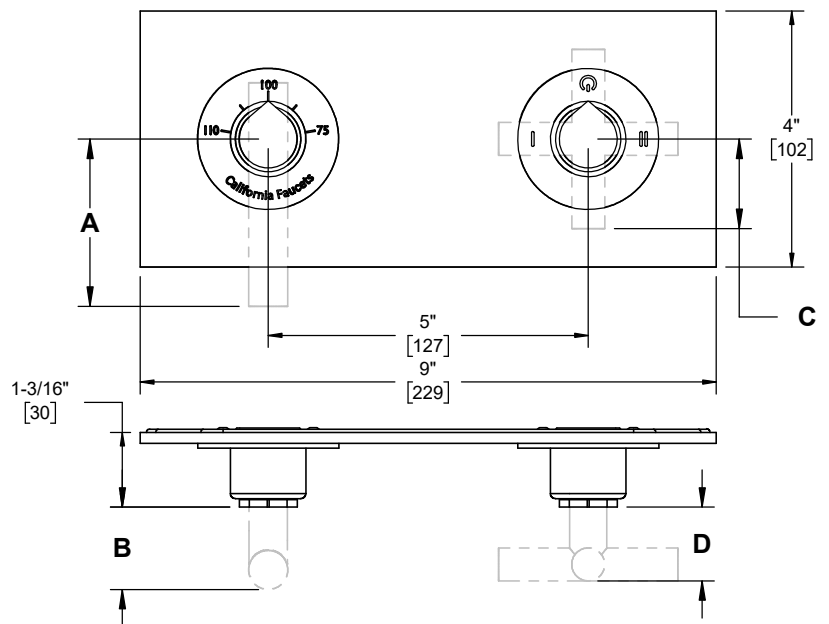


XX	A	B	C	D
39	7/8" [21]	1-7/16" [39]	7/8" [21]	1-7/16" [39]
40	2-3/16" [55]	1-3/8" [34]	1-1/4" [32]	1-3/8" [34]
40X	1-1/4" [32]	1-3/8" [34]	1-1/4" [32]	1-3/8" [34]
41	3-11/16" [93]	1-1/2" [39]	1-1/2" [38]	15/16" [24]
45	3" [76]	1" [25]	1-3/8" [35]	7/8" [22]
45X	1-3/8" [35]	7/8" [22]	1-3/8" [35]	7/8" [22]
62	1-3/8" [35]	1-5/8" [41]	1-3/8" [35]	1-5/8" [41]
65	1-3/8" [35]	1-1/8" [29]	1-3/8" [35]	1-1/8" [29]
66	2-1/4" [57]	1-5/16" [33]	1-3/8" [35]	1-1/8" [29]
70	2-3/4" [70]	13/16" [21]	1-1/4" [32]	1-3/8" [34]
74	3" [76]	1-1/2" [37]	1-1/2" [38]	15/16" [24]
77	2-3/4" [70]	5/8" [16]	1-3/8" [35]	7/8" [22]
E3	2-3/4" [70]	1-3/8" [35]	1-1/4" [32]	1-3/8" [34]
E4	2-3/4" [70]	1-3/16" [30]	1-1/4" [32]	1-3/8" [34]
E5	2-3/4" [70]	1-3/16" [30]	1-1/4" [32]	1-3/8" [34]

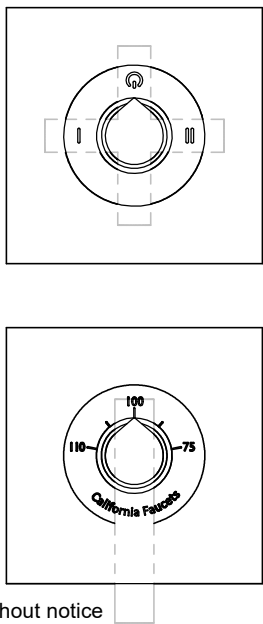
Vertical mounting



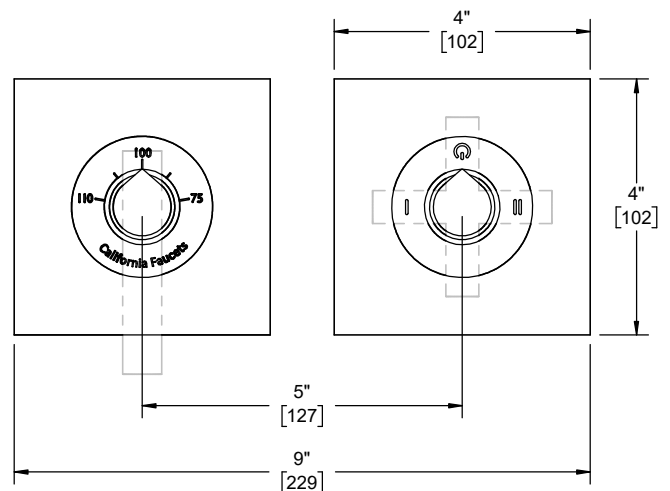
Horizontal mounting



Vertical mounting



Horizontal mounting



Specifications subject to change without notice

Dimensions are inches, rounded to 1/16"
[Dimensions in brackets are mm, rounded to 1mm]