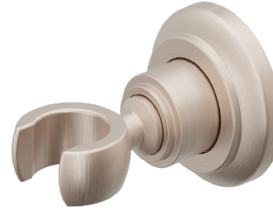




Features

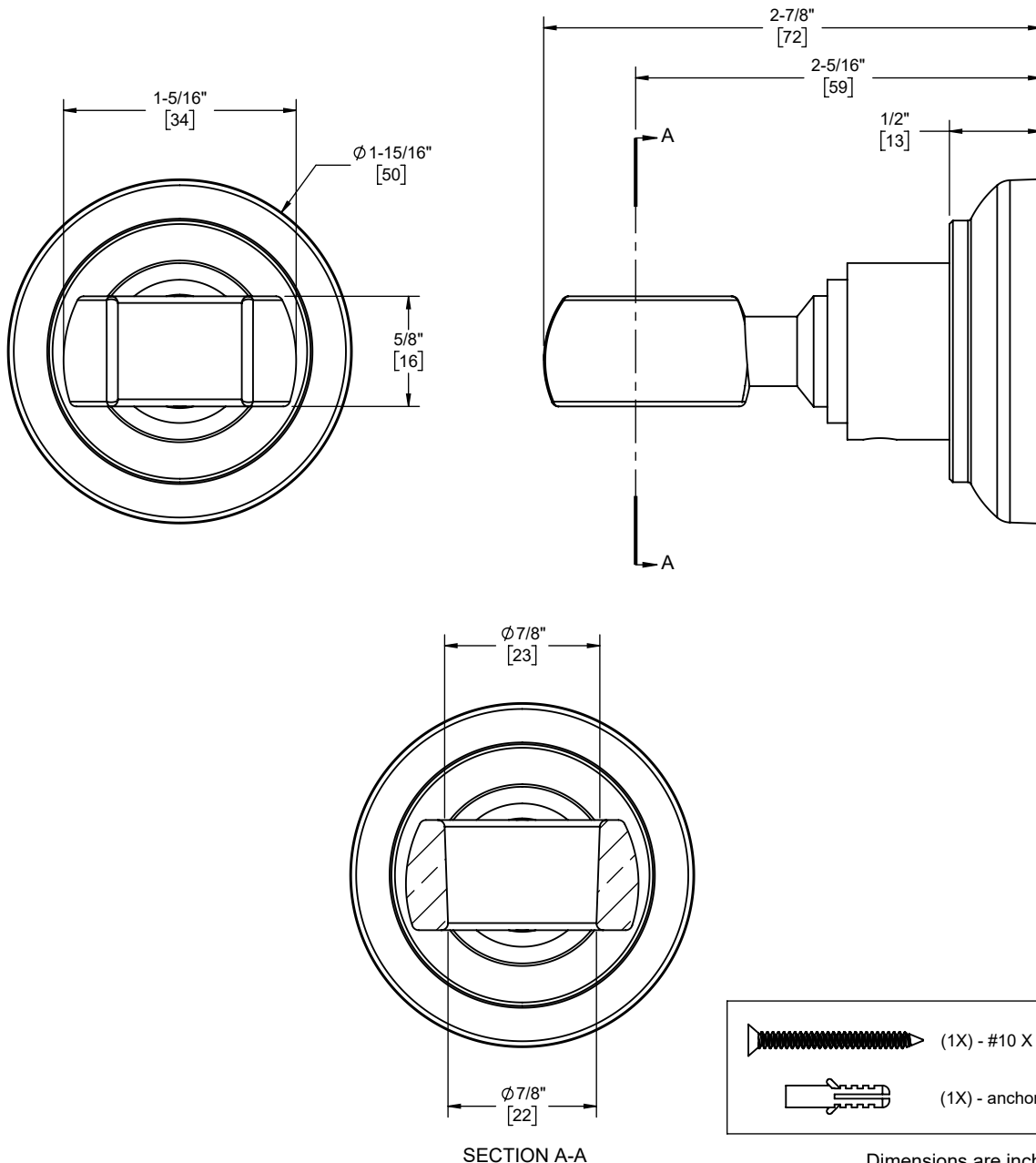
- 25+ artisan finishes including 10+ PVD finishes
- All brass construction
- All mounting hardware included
- Accepts most conical handshower hoses





Codes/Standards Applicable

Product meets or exceeds the following:

- None applicable



	(1X) - #10 X 2" phillips head screw
	(1X) - anchor, plastic #8-10 finned

Dimensions are inches, rounded to 1/16"
[Dimensions in brackets are mm, rounded to 1mm]