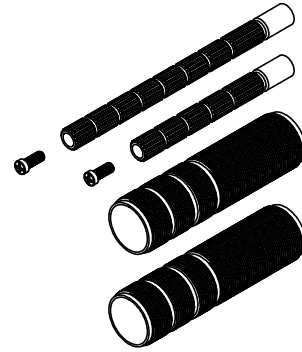


### Features

- For use on THX-R only
- Extends all thread and broach reach an additional 1-5/16"
- For use when THX-R is placed to far into wall

EXT-THX

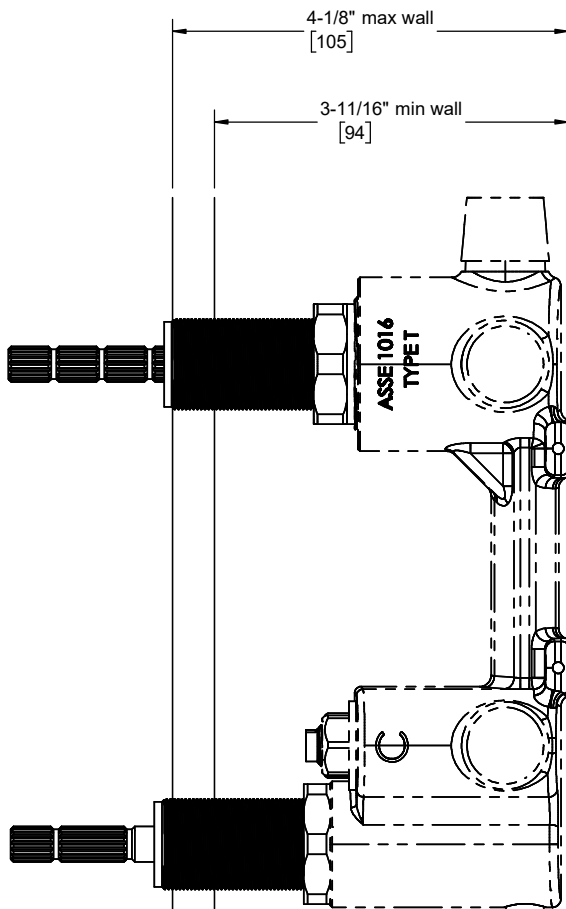


### Codes/Standards Applicable

Product meets or exceeds the following:

- ASME A112.18.1/CSA B125.1

No Extension



Extension EXT-THX

