



California Faucets®

Capitola®

ROMAN TUB SET

Features

- 25+ artisan finishes including 10+ PVD finishes
- All brass construction
- 16 gpm (60.6 L/min) max flow rate
- Comes as complete set with trim and valves
- Handles are available in Brass, Black Glass, and Natural Stone Inserts

8708A
8708A-XX
8708AP
8708AP-XX

Codes/Standards Applicable

Product meets or exceeds the following:

- ASME A112.18.1/CSA B125.1
- ADA compliant
- Installation of upstream tempering device may be required (verify local codes)



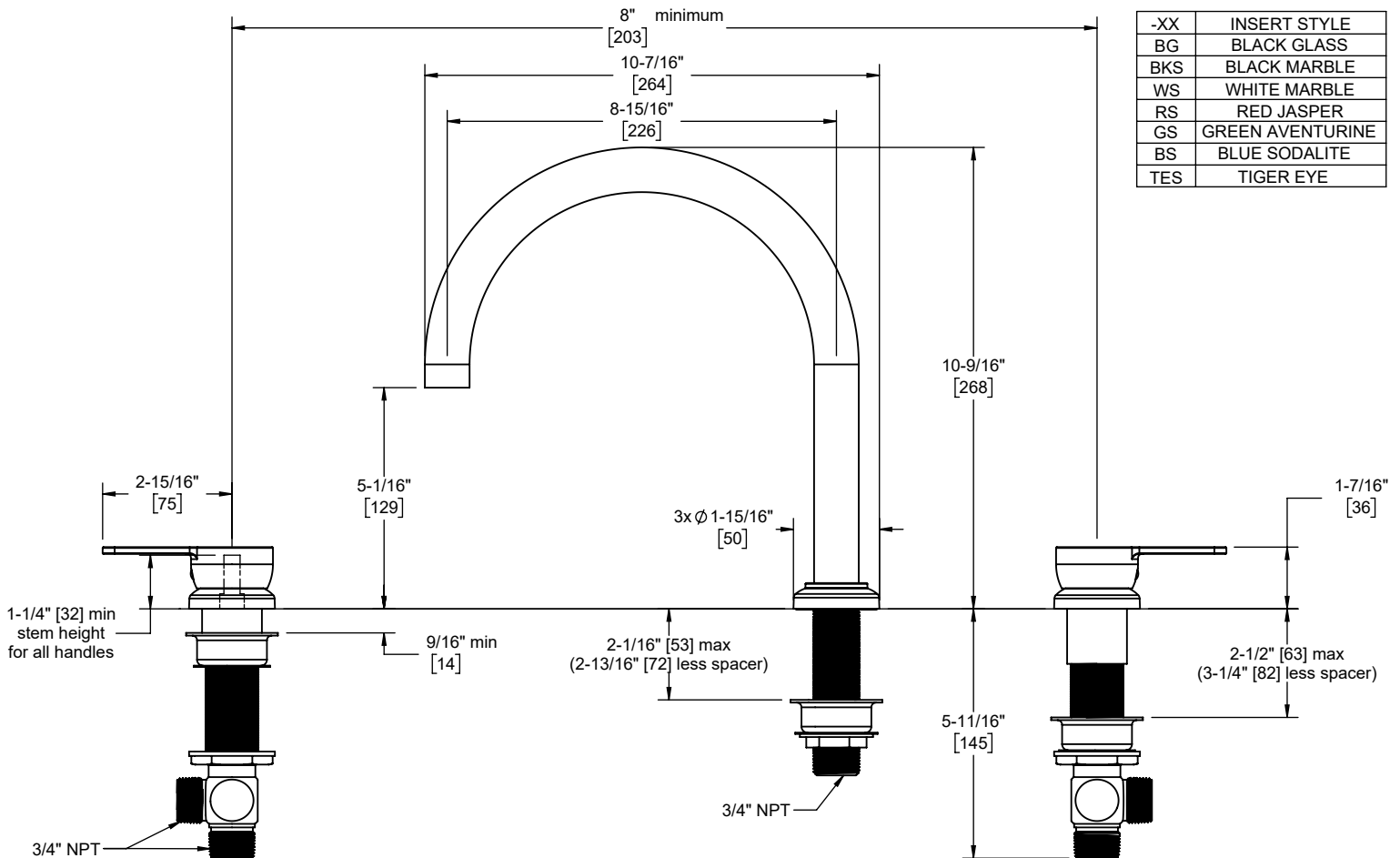
8708A-BG shown



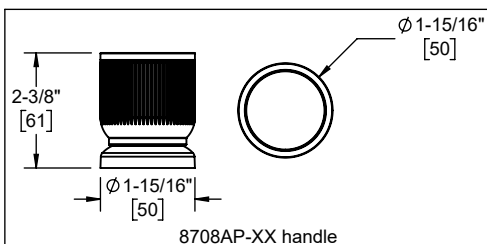
8708AP



XX = Denotes handle insert style



-XX	INSERT STYLE
BG	BLACK GLASS
BKS	BLACK MARBLE
WS	WHITE MARBLE
RS	RED JASPER
GS	GREEN AVENTURINE
BS	BLUE SODALITE
TES	TIGER EYE



Through-Hole Specifications			
	Min	Recommended	Max
Spout:	Ø 1-1/16" [27]	Ø 1-3/8" [35]	Ø 1-1/2" [38]
Valve:	Ø 1-3/8" [35]	Ø 1-1/2" [38]	Ø 1-1/2" [38]

Specifications subject to change without notice

Dimensions are inches, rounded to 1/16"
 [Dimensions in brackets are mm, rounded to 1mm]