

Features

- 25+ artisan finishes including 10+ PVD finishes
- All brass construction
- Handshower and swivel nut with 1/2" MIP inlets
- 2.0gpm (7.6 L/min) or 1.8gpm (6.8 L/min) max flow rate
- Durable 84" black poly braided hose, provides quiet non-marring operation
- Includes diverter valve (DDV-R)
- Handle is available in Brass, Black Glass, and Natural Stone Inserts

- 87.62.18
- 87.62.18-XX
- 87.62.20
- 87.62.20-XX
- 87P.62.18
- 87P.62.18-XX
- 87P.62.20
- 87P.62.20-XX

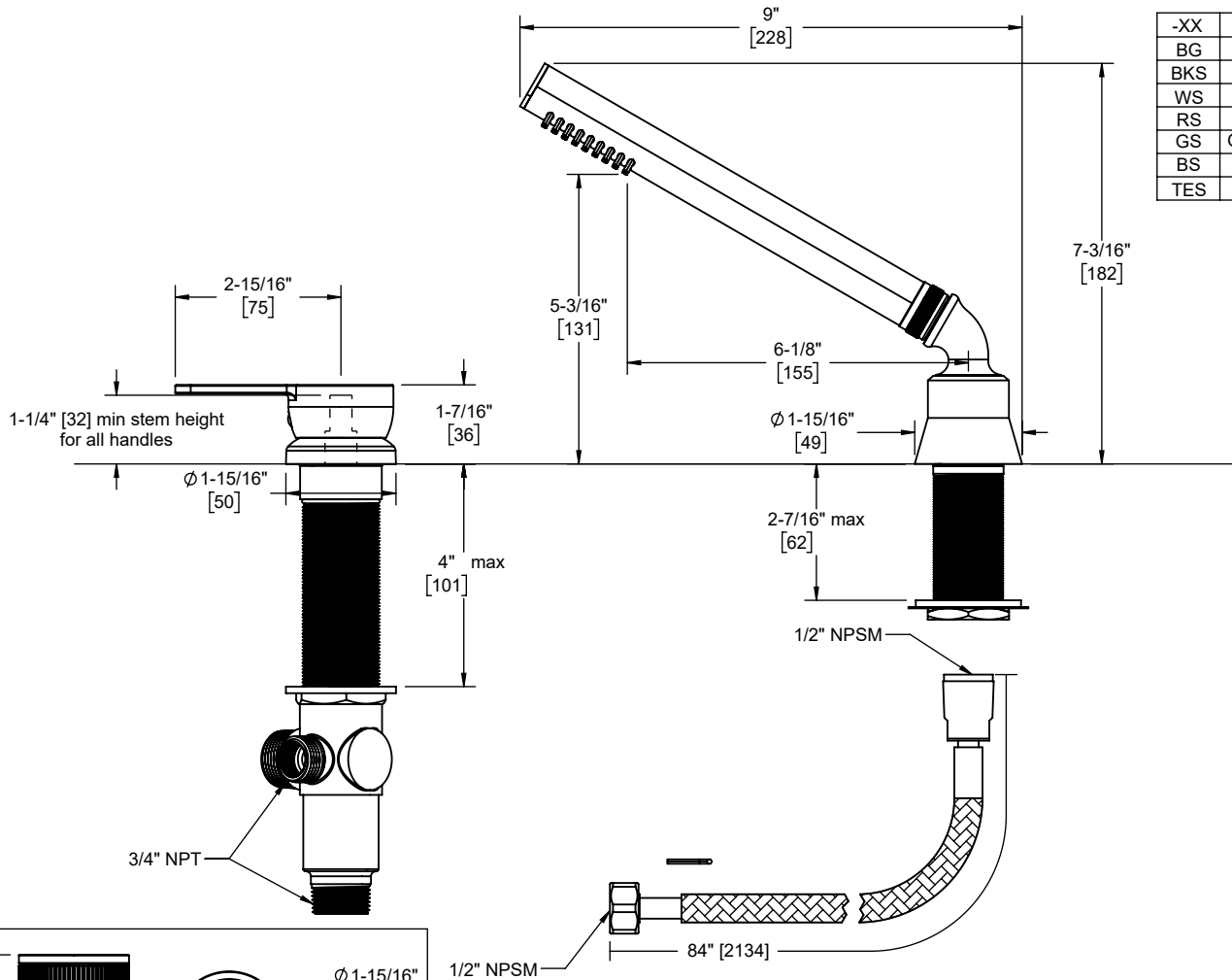
Codes/Standards Applicable

Product meets or exceeds the following:

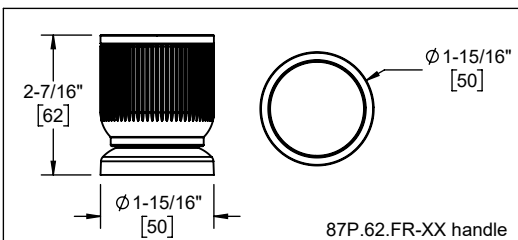
- ASME A112.18.1/CSA B125.1
- NSF 61, NSF 372, CEC (1.8 gpm) & DOE (1.8 & 2.0 gpm)
- EPA WaterSense (2.0 gpm)
- Commonwealth of MA
- ADA compliant



XX = Denotes handle insert style



-XX	INSERT STYLE
BG	BLACK GLASS
BKS	BLACK MARBLE
WS	WHITE MARBLE
RS	RED JASPER
GS	GREEN AVENTURINE
BS	BLUE SODALITE
TES	TIGER EYE



Through-Hole Specifications			
	Min	Recommended	Max
Shower:	Ø 1-1/4" [32]	Ø 1-1/4" [32]	Ø 1-13/16" [46]
Valve:	Ø 1-7/16" [37]	Ø 1-1/2" [38]	Ø 1-3/4" [44]

Specifications subject to change without notice

Dimensions are inches, rounded to 1/16" [Dimensions in brackets are mm, rounded to 1mm]