

Two Handle Lavatory Wall Faucet Installation Instructions

CALIFORNIA FAUCETS RECOMMENDS THAT ALL PLUMBING PRODUCTS BE INSTALLED BY A LICENSED PROFESSIONAL

IMPORTANT: Read all instructions prior to installation and provide copy of instructions to consumer.

Operating Specifications:

Recommended Supply Pressure: 20 to 70 psi [1.4 to 4.8 bar] ††

Maximum Flow Rate: 1.2 gpm [4.5 Lpm]

* Operating pressures between hot and cold supplies should vary no more than 30 psi [2.1 bar].

† If water pressure exceeds 70 psi [4.8 bar], install a Pressure-Reducing Valve (PRV).

I INSTALLING SPOUT TO IN-WALL VALVE

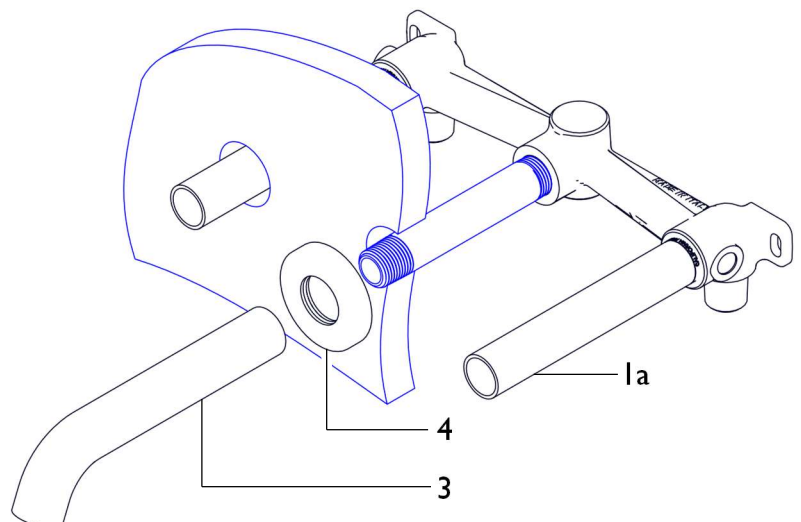
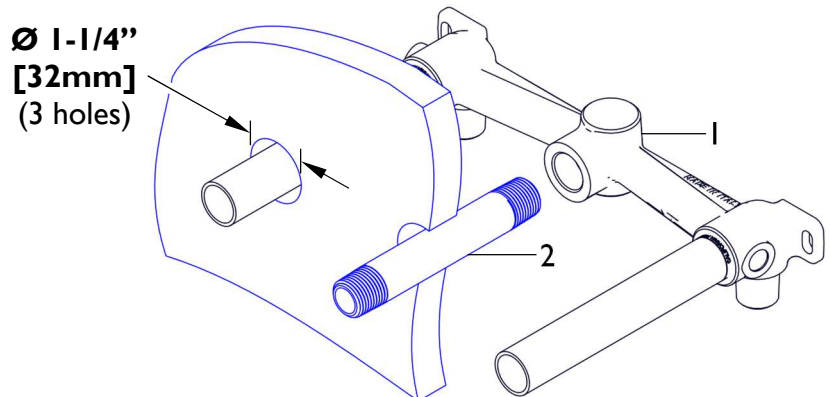
- Prior to installing faucet trim in-wall vessel rough VALVE (1), **VL-R**, must be properly installed and wall surface must be completely finished

NOTE: Recommended through-hole size shall be $\varnothing 1-1/4"$ [32mm]

- Apply thread sealant to both threaded ends of NPT NIPPLE (2), not supplied, and tighten into center outlet of VALVE (1)
- Slide spout RING (4) onto SPOUT (3)
- Tighten SPOUT (3) onto NPT NIPPLE (2)
- If SPOUT (3) is not properly aligned when fully tightened, turn counter-clockwise till properly aligned

IMPORTANT: Do not overtighten SPOUT (2)

- If needed, apply silicone caulk to back side of spout RING (4)
- Push spout RING (4) firmly against wall



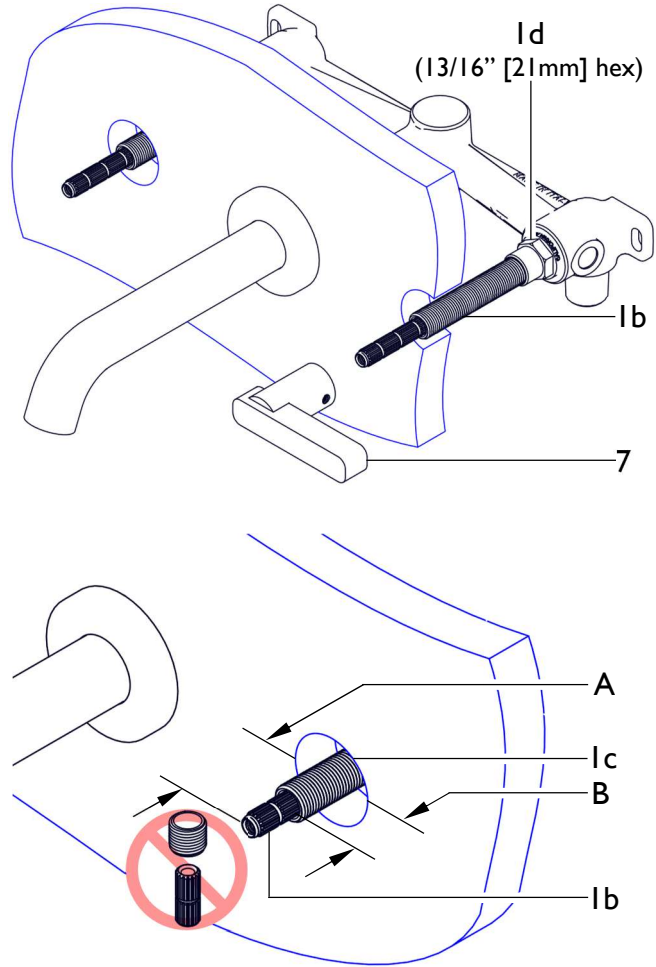
2 ALIGN & TRIM VALVE STEM

- Remove MUDGUARD (1a) from VALVE (1)
- To obtain proper HANDLE (7) alignment, it may be necessary to re-align cartridge STEM (1b); to align STEM (1b), slightly loosen the cartridge NUT (1d), place HANDLE (7) on STEM (1b) and **TIGHTEN** in CW direction until desired alignment is achieved; retighten cartridge NUT (1d) to factory torque setting of 14 lb-ft [19 Nm] using wrench SPD-880616-91 (sold separately)

WARNING: Cartridge NUT (1d) **MUST** be properly torqued to prevent possible failure and/or water damage

- Use a pencil or marker to indicate a distance from finished wall on ALL-THREAD (1c) according to table below
- Unscrew ALL-THREAD (1c) from valve STEM (1b)
- Cut STEM (1b) from finished wall surface according to table below
- Cut off excess ALL-THREAD (1c) at indicated mark and reattach ALL-THREAD (1c) onto valve STEM (1b) – repeat on other side

| Series | A" [mm] | B" [mm] |
|--------|--------------|------------|
| 38/38X | 1-1/16" [27] | 1/4" [6] |
| 87 | 1-1/8" [30] | 9/16" [15] |
| 87P | 1-1/4" [32] | 9/16" [15] |



3 INSTALLING HANDLE

- Tighten handle RING (5) onto ALL-THREAD (1c)
- Slide WASHER (6) onto STEM (1b)
- Slide HANDLE (7) onto STEM (1b)
- Secure with SETSCREWS (7a) using HEX KEY (8)

For 87 & 87P Series

- Insert handle BUTTON (7b) into HANDLE (7)

