

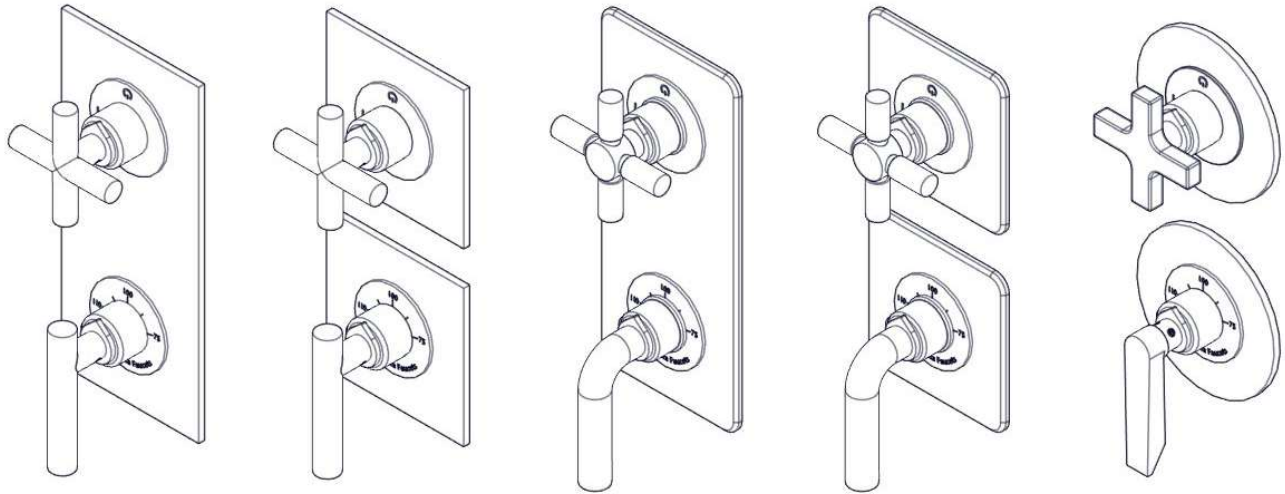


StyleTherm Vista™

TO-THFI1/2/3/2S/3S, TO-THFF1/2/3/2S/3S
 TO-THQ1/2/3/2S/3S, TO-THQQ1/2/3/2S/3S,
 TO-THRRI1/2/3/2S/3S

1/2" StyleTherm Vista™ Trim Installation Instructions

CALIFORNIA FAUCETS RECOMMENDS THAT ALL PLUMBING PRODUCTS BE INSTALLED BY A LICENSED PROFESSIONAL



IMPORTANT: Instructions to the Installer

Please read these instructions, fill in blanks below, and then give these instructions to the end user.

WARNING: Risk of Scalding

This valve **MUST** have the TEMPERATURE SETTING verified during installations. The **INSTALLER** is responsible for installing the valve and setting of water temperature in accordance with these instructions.

THIS THERMOSTATIC VALVE HAS BEEN PRESET

BY _____

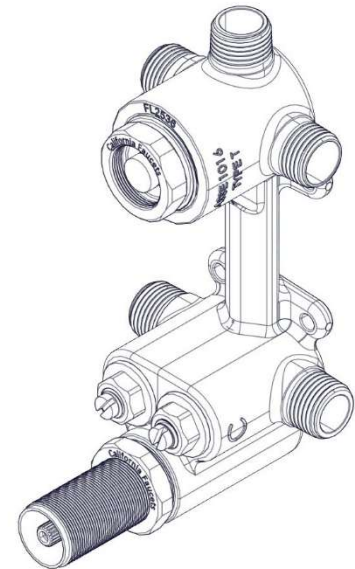
OF _____

TO A MAXIMUM DISCHARGE TEMPERATURE OF _____ °F.

ANY CHANGES TO THIS SETTING MAY INCREASE THE DISCHARGE TEMPERATURE AND COULD RISK SCALDING OF END USER.

DATE _____

CAUTION: Danger of scald injury. Valve can be recalibrated to provide higher temperature water. This valve has been preset at the factory to provide a range of water temperatures. Any change in settings or water inlet conditions from those used during calibration at the factory may raise the outlet temperature and may cause scalding. The responsibility for the proper installation and any recalibration of this valve lies with the installer.

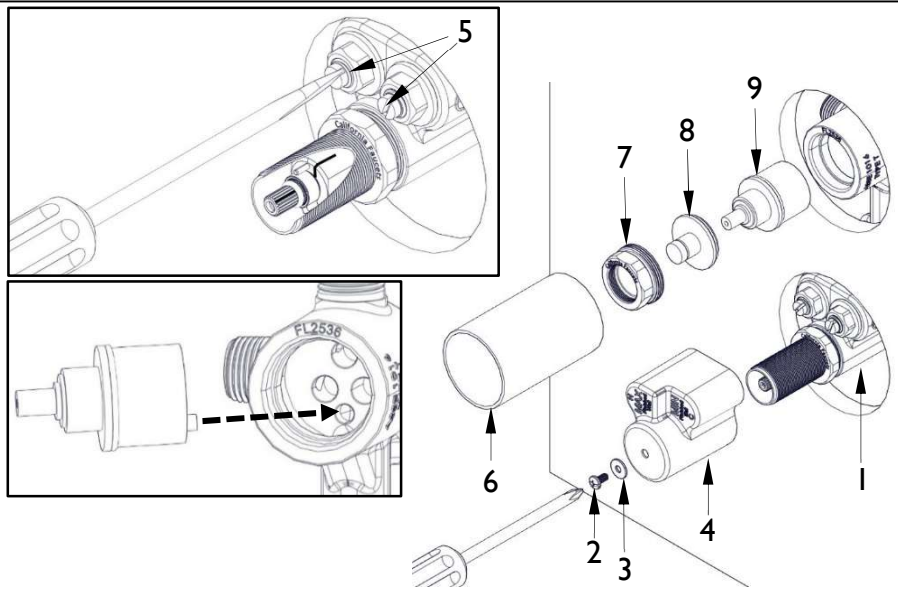


**THX-R
(ROUGH)**

1 INSTALLING CARTRIDGE

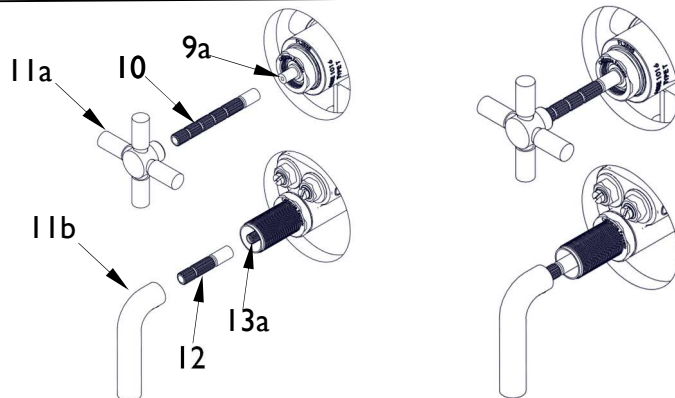
NOTE: Instructions illustrated with a vertical valve installation, steps remain unchanged for a horizontal installation.

- Remove mudguard SCREW (2), WASHER (3), and MUDGUARD (4) from the installed VALVE (1)
- Close HOT & COLD service/check STOP (5) by turning clockwise
- Remove mudguard TUBE (6), CART NUT (7), using a 1-1/4" socket or wrench, and PLUG (8)
- Insert OUTLET CARTRIDGE (9) into VALVE (1), ensuring the locating pin aligns with the locating hole
- Reinstall CART NUT (7) and torque to 10 lb-ft (13.6 Nm)
- Open HOT & COLD service/check STOP (5) and check for leaks.



2 SETTING TEMPERATURE

- Temporarily place LONG stem (10) & HANDLE (11a) onto CARTRIDGE stem (9a) & SHORT stem (12) & HANDLE (11b) onto THERM stem (13a)
- Rotate HANDLE (11b) counterclockwise (CCW) until it stops
- Set HANDLE (11a) to an outlet where water temperature can be measured
- Allow temperature to stabilize and measure
- Factory set maximum temperature: 104°F (40°C)
- To adjust temperature, follow all steps below; otherwise skip to **Align Therm Cartridge Stem**
- Remove ALL THREAD (14), O-RING (15) and LIMIT STOP (16); discard O-RING (15)
- Turn on water and check temperature at outlet
- To adjust temperature, rotate STEM (13a)
Clockwise (CW) = Cooler
Counterclockwise (CCW) = Hotter
- Rotate THERM stem (13a) until desired temperature is reached and hold position
- Install LIMIT STOP (16) onto THERM stem (13a) to prevent further CCW rotation
- LIMIT STOP (16) must contact PIN (17) to prevent CCW rotation



WARNING: The valve can deliver temperatures higher than 104°F (40°C). Installer must set the maximum temperature limit appropriately to prevent scalding.

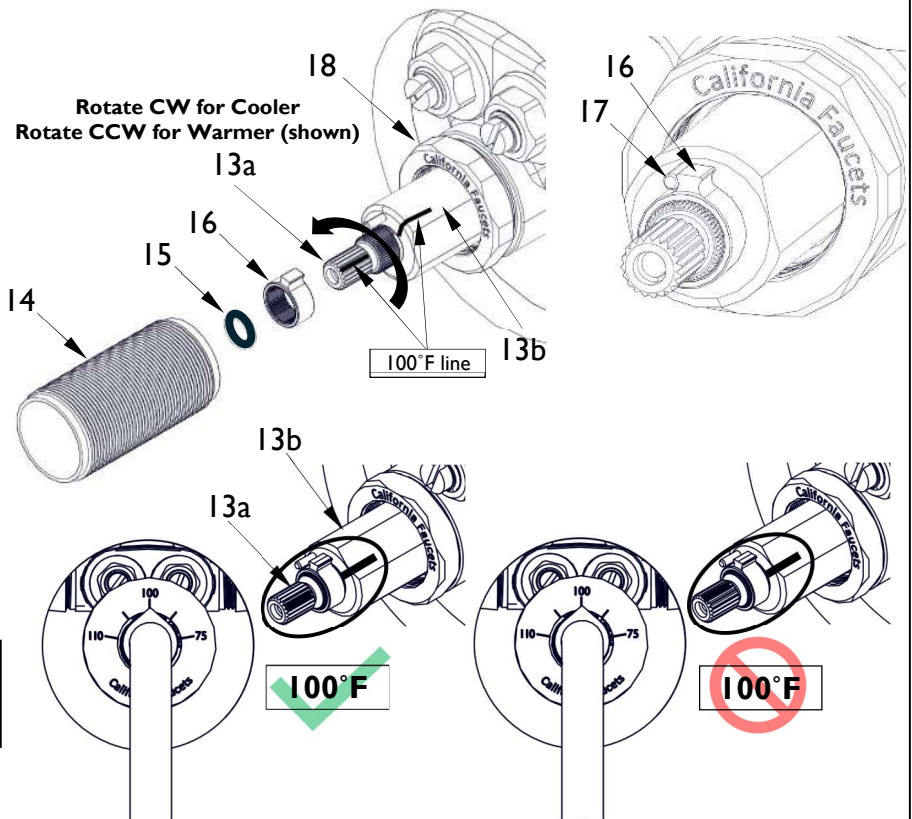
- MAX suggested temperature 100°F - 104°F [38° - 40°C]
- MAX high-limit temperature 110°F [43°C]
- Risk of First-Degree Burn at 116°F [47°C]

Align Therm Cartridge Stem

- Remove ALL THREAD (14) & O-RING (15) if not already removed; discard O-RING (15)
- Rotate THERM stem (13a) until black lines on THERM stem (13a) and THERM BODY (13b) align. This sets the output to 100°F (38°C). This ensures that the trim indicator matches water temperature

NOTE: With the output set to a known temperature of 100°F (38°C), indicator can be aligned to the 100°F marking when installing Trim.

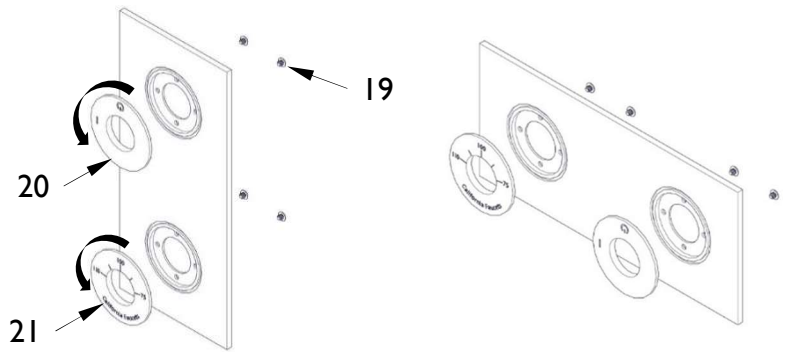
- Install ALL THREAD (14) onto PACKING NUT (18)



3 ADJUSTING DIALS (for horizontal install)

NOTE: Trim is factory-set for vertical installation. If the valve is installed horizontal, reorient the temperature and outlet dials.

- Remove PLATE SCREWS (19), rotate OUTLET DIAL (20) and TEMP DIAL (21) 90 degrees counterclockwise (CCW)
- Secure OUTLET DIAL (20) and TEMP DIAL (21) with PLATE SCREWS (19)



4 INSTALL TRIM

- Attach ALL THREAD (14) to CART NUT (7)
- Install FACEPLATE (22) onto ALL THREAD (14)
- Thread BONNET (23) onto ALL THREAD (14) and tighten to secure FACEPLATE (22)
- Place LONG stem (10) onto OUTLET cartridge (9) and SHORT stem (12) onto THERM cartridge (13); Secure with SCREW (24)
- Using TABLE below, measure from the flat surface of BONNET (23) and mark the cut location on LONG (10) & SHORT (12) stems

Trim Series	Stem Length
80, 80W	1/2"
65, 66, 70, 77	9/16"
33, 35, 37, 37X 40, 40X, 41, 45, 45X, 52*, 52F*, 52K*, 53*, 53F*, 53K*, 60, 60X, 60-YY, 61, 85, 85B, 85W, 87*, CI, CIX, E4**, E5**	5/8"
30, 30X, 34, 39*, 39H*, 39K*, 39P*, 39R*, 39PI*, 39RI*, 41-YY, 46, 47, 48, 48X, 61XD, 62*, 74, CIXS	3/4"
E3**	5/8" (stem 10) 3/4" (stem 12)

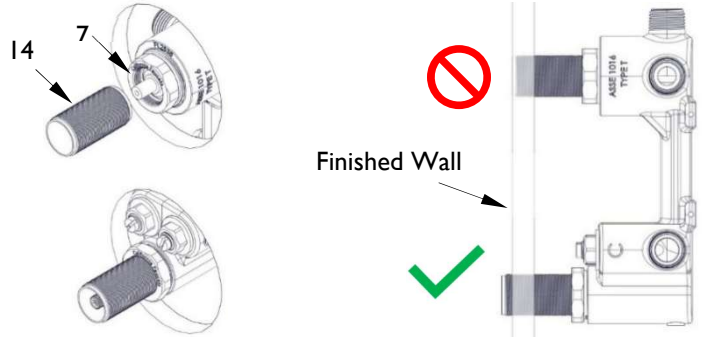
* No indicator on temperature dial & outlet dial

** No indicator on temperature dial

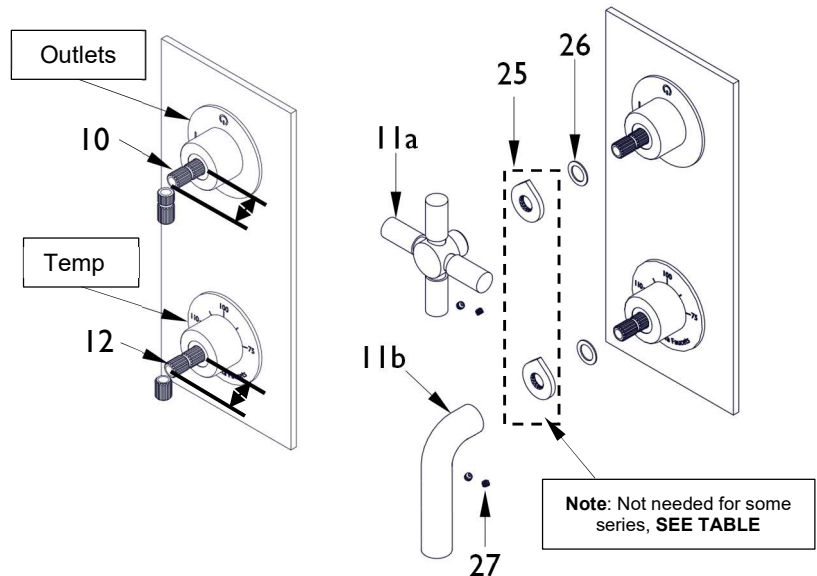
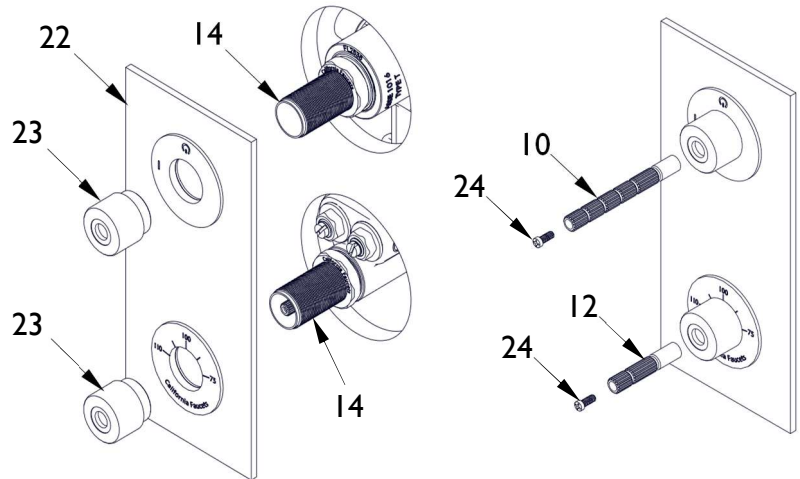
- Remove TRIM (22) & (23) and cut STEMS (10) & (12) at marks made in previous step
- Reinstall FACEPLATE (22) and BONNET (23)
- Place INDICATOR (25) and WASHER (26) on LONG stem (10); align INDICATOR (25) with on/off symbol

NOTE: Trims with 3 NON-SHARED OUTLETS have 3 OFF positions. Ensure the OUTLET CARTRIDGE (9) is set to the correct off position before installing INDICATOR (25), so the numbering on the trim corresponds to the correct outlet. See section 6 below for reference.

- Place INDICATOR (25) and WASHER (26) on SHORT stem (12); align indicator to pre-set temperature of 100°F
- Place HANDLE (11a) onto LONG stem (10) and HANDLE (11b) onto SHORT stem (12) and secure with SETSCREWS (27)



WARNING: If ALL THREAD (14) does not extend past finished wall, extension kit EXT-THX is required (purchase separately). DO NOT loosen CART NUT (7) as this can cause leaks.



5 MAINTENANCE

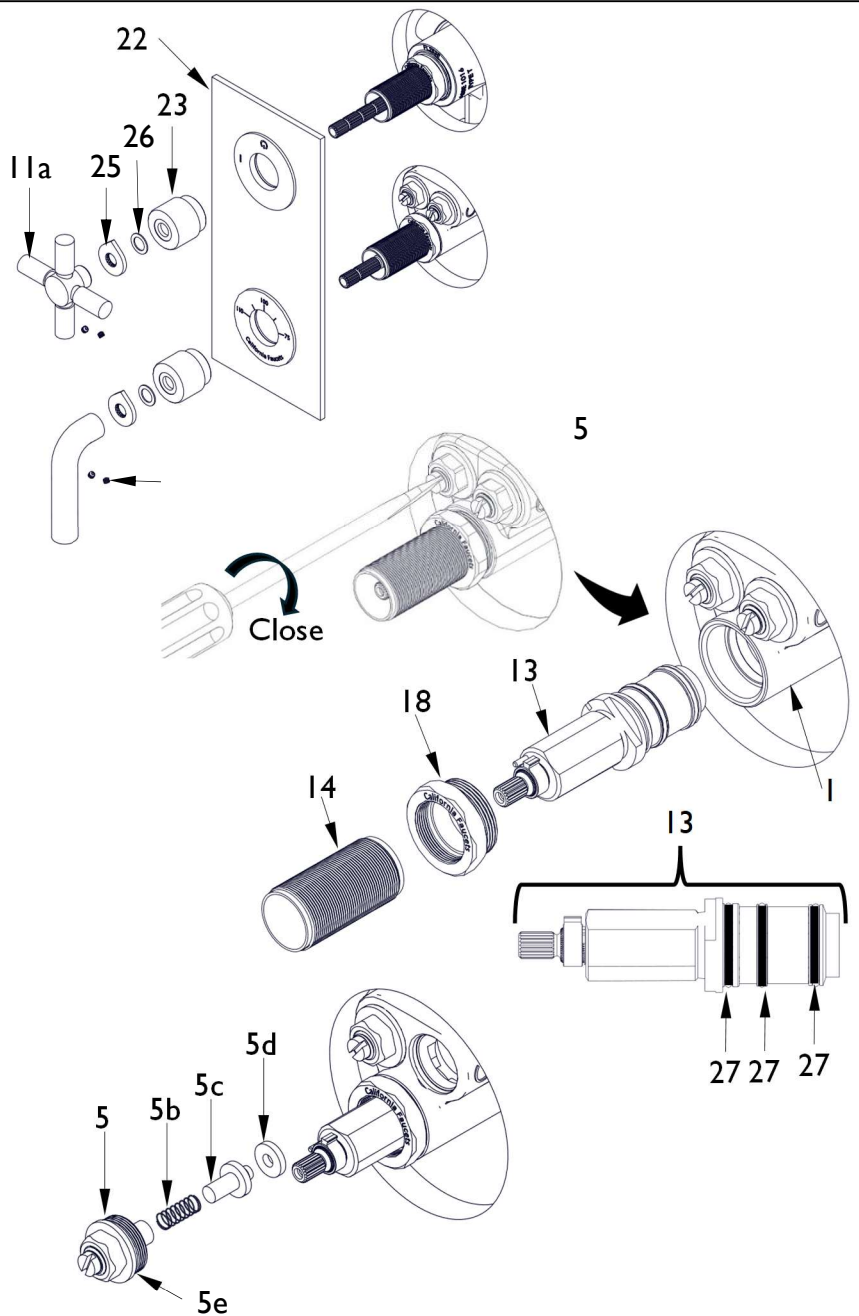
The therm cartridge has built-in screens to prevent debris from affecting performance. Clean as needed to maintain proper water flow.

Therm Cartridge Service

- Loosen SETSCREWS (27) and remove HANDLES (11a) & (11b), INDICATOR (25), WASHER (26), BONNET (23) and FACEPLATE (22)
- Shut off water by turning HOT & COLD service STOPS (5) clockwise until it stops
- Remove ALL THREAD (14) and PACKING NUT (18) using 1-1/4" socket or wrench
- Pull out THERM CARTRIDGE (13) (gently twist while pulling if needed)
- Rinse cartridge screens under running water
- Apply a thin layer of non-petroleum based grease to O-RING (27)
- Reinstall THERM CARTRIDGE (13) and PACKING NUT (18)
- Tighten PACKING NUT (18) to 13 lb-ft (17.6 Nm) using 1-1/4" socket or wrench
- Thread ALL THREAD (14) to PACKING NUT (18)
- Turn water back on by rotating service/check STOP (5) counterclockwise
- See **2** SETTING TEMPERATURE

Service/Check Stop

- Shut off water supply at main or upstream from VALVE (1)
- Remove service/check STOP (5) from VALVE (1)
- Rinse service/check STOP (5), SPRING (5b), PLUNGER (5c) and WASHER (5d) under running water
- Apply a thin layer of non-petroleum based grease to O-RING (5e)
- Reinstall service/check STOP (5) and tighten to 10 lb-ft (13.6 Nm)



6 3 Outlet Cartridge, Non-shared

- Trims with 3 non-shared outlets have three (3) OFF positions
- The diagram to the right shows how a properly installed INDICATOR (25) should look like in all positions
- Before installing INDICATOR (25), ensure the OUTLET CARTRIDGE (9) is set to the correct OFF position
- If INDICATOR (25) is installed in the wrong OFF position, the selected outlet will not match the OUTLET DIAL (20)
- Example:** If position 1 is intended for the showerhead, but INDICATOR (25) is installed with OUTLET CARTRIDGE (9) in the wrong OFF position, the overhead soaker or hand shower will be activated

