



California Faucets®

# StyleTherm Vista™

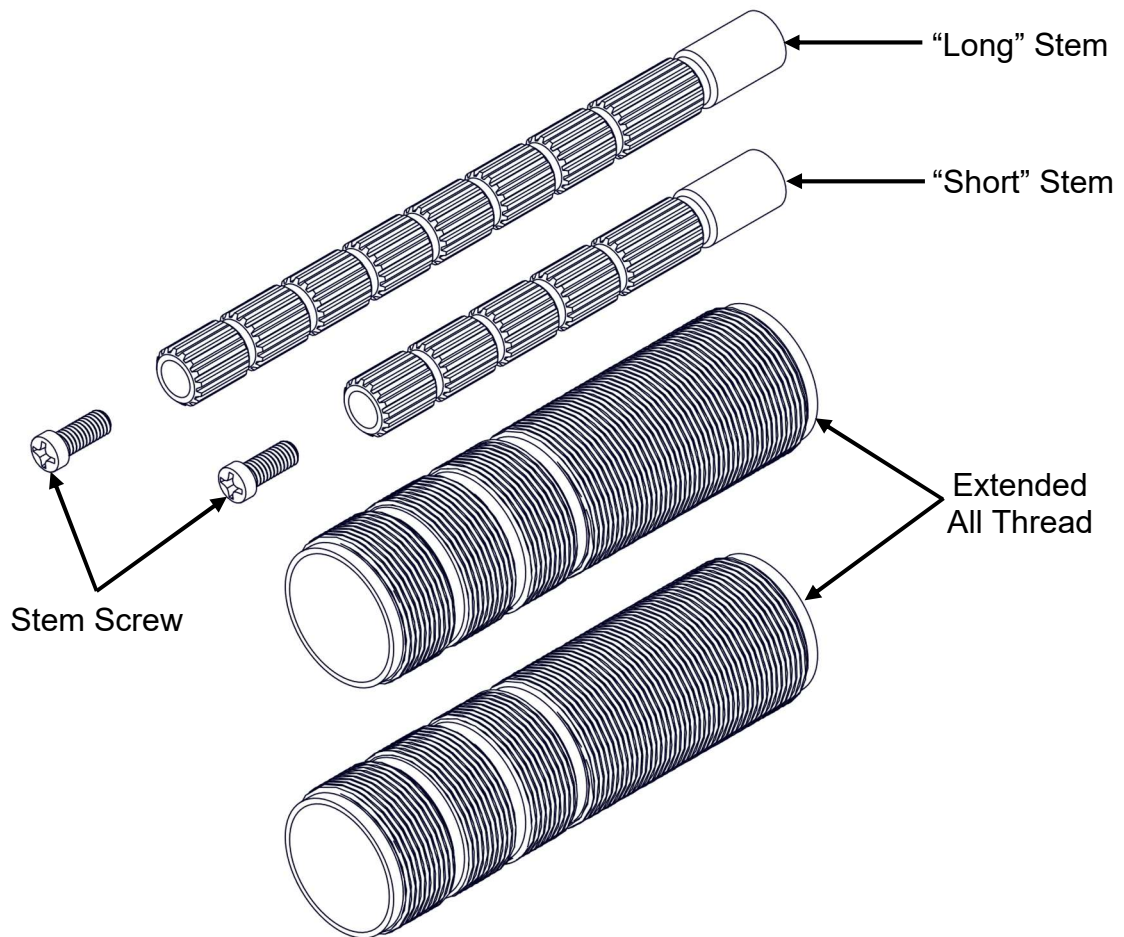
## EXT-THX

### 1/2" StyleTherm Vista™ Extension Kit Installation Instructions

CALIFORNIA FAUCETS RECOMMENDS THAT ALL PLUMBING PRODUCTS BE INSTALLED BY A LICENSED PROFESSIONAL

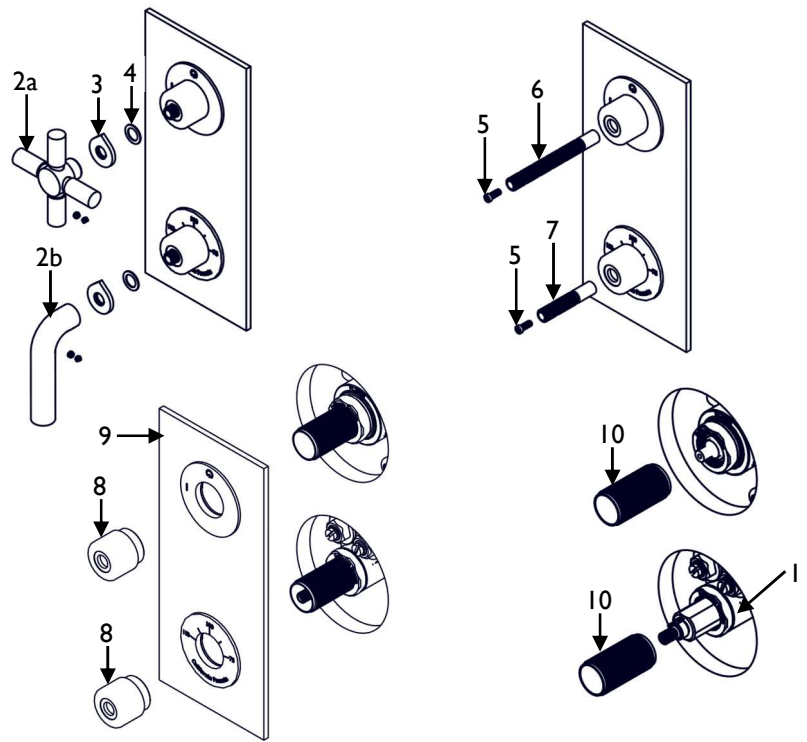
**NOTE:** This extension kit is for valves installed too far into the wall, preventing proper engagement of the bonnet with the all thread or the handles with the broach. This extension kit increases engagement by up to 1-5/16".

**IMPORTANT:** Read all instructions prior to installation and provide copy of instructions to consumer.



## 1 Removing Trim

- Remove HANDLE (2a) and (2b), INDICATOR (3), and WASHER (4) if installed
- Remove STEM SCREW (5), then remove OUTLET stem (6) and THERM stem (7)
- Unscrew BONNET (8) and remove FACEPLATE (9)
- Remove ALL THREAD (10) from VALVE (1)



## 2 Installing Extension Kit

- Install EXTENDED ALL THREAD (11) onto CART NUT (12) and PACKING NUT (13)
- Identify the first groove on EXTENDED ALL THREAD (11) that is completely past the finished wall. Do this for EXTENDED ALL THREAD (11) on CART NUT (12) and PACKING NUT (13)
- Mark the first groove that is completely past the finished wall
- Remove both EXTENDED ALL THREAD (11) and cut at marked location
- Continue to Trim Installation Instructions (TO-THX-XX\_ii)
- Installation instructions TO-THX-XX\_ii will include steps on how to properly size the stems that came with your extension kit

