



California Faucets®

Steampunk Bay™

CF-TO-V8502-9 & CF-TO-V8502-7 In-Wall Vessel Lavatory Faucet Installation Instructions

CALIFORNIA FAUCETS RECOMMENDS THAT ALL PLUMBING PRODUCTS BE INSTALLED BY A LICENSED PROFESSIONAL

IMPORTANT: Read all instructions prior to installation and provide copy of instructions to consumer.

Operating Specifications:

Recommended Supply Pressure: 20 to 70 psi*†

Maximum Flow Rate: 1.2 gpm

* Operating pressures between hot and cold supplies should vary no more than 30 psi.

† If water pressure exceeds 70 psi, install a Pressure-Reducing Valve (PRV).

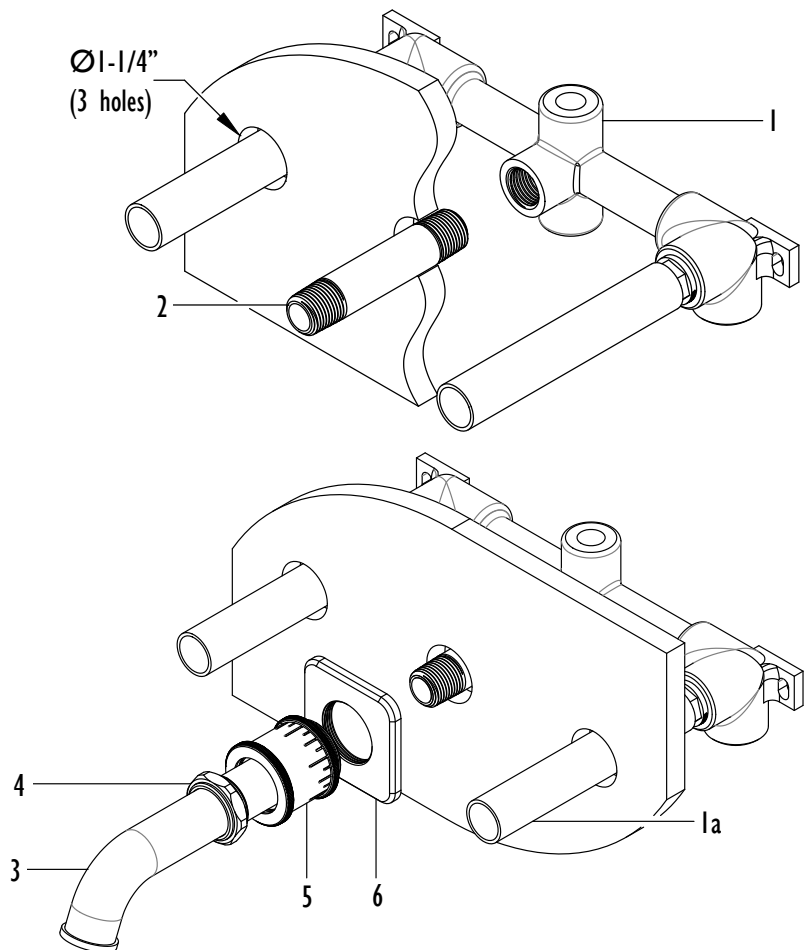
INSTALLING SPOUT TO IN-WALL VALVE

- Prior to installing faucet trim in-wall vessel rough VALVE (1), **CF-VL-R**, must be properly installed and wall surface must be completely finished

NOTE: Recommended through-hole size shall be $\varnothing 1-1/4"$

- Apply thread sealant to both threaded ends of NPT NIPPLE (2), not supplied, and tighten into center outlet of VALVE (1)
- Tighten spout BASE (6) and decorative NUT (4) onto spout RISER (5), and slide onto SPOUT (3)
- Tighten SPOUT (3) onto NIPPLE (2)
- If SPOUT (3) is not properly aligned when fully tightened, turn counter-clockwise till properly aligned

IMPORTANT: Do not overtighten SPOUT (3)

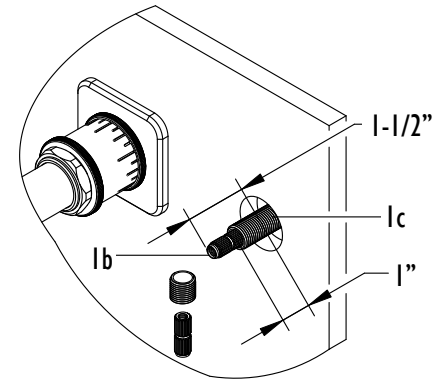
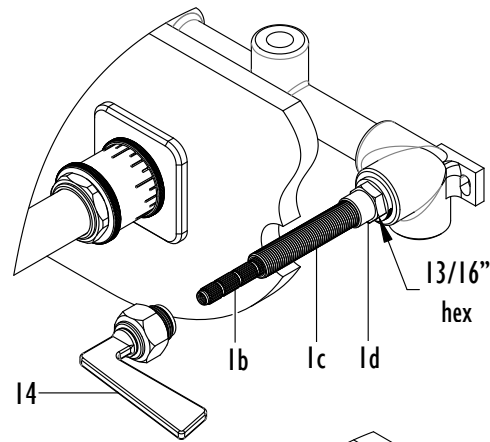


2 ALIGN & TRIM VALVE STEM

- Remove MUDGUARD (1a) from VALVE (1)
- To obtain proper HANDLE (14) alignment it may be necessary to re-align cartridge STEM (1b); to align STEM (1b), slightly loosen the cartridge NUT (1d), place HANDLE (14) on STEM (1b) and **TIGHTEN** in CW direction until desired alignment is achieved; retighten cartridge NUT (1d) to factory torque setting of 14 ft-lbs.

WARNING: Cartridge NUT (1d) **MUST** be properly torqued to prevent possible failure and/or water damage

- Using a marking device (e.g. pencil or marker) indicate a distance of 1" from finished wall on ALL-THREAD (1c); unscrew ALL-THREAD (1c) from valve STEM (1b)
- Cut STEM (1b) 1-1/2" from finished wall surface
- Cut off excess ALL-THREAD (1c) at indicated mark and reattach ALL-THREAD (1c) onto valve STEM (1b) – repeat on other side

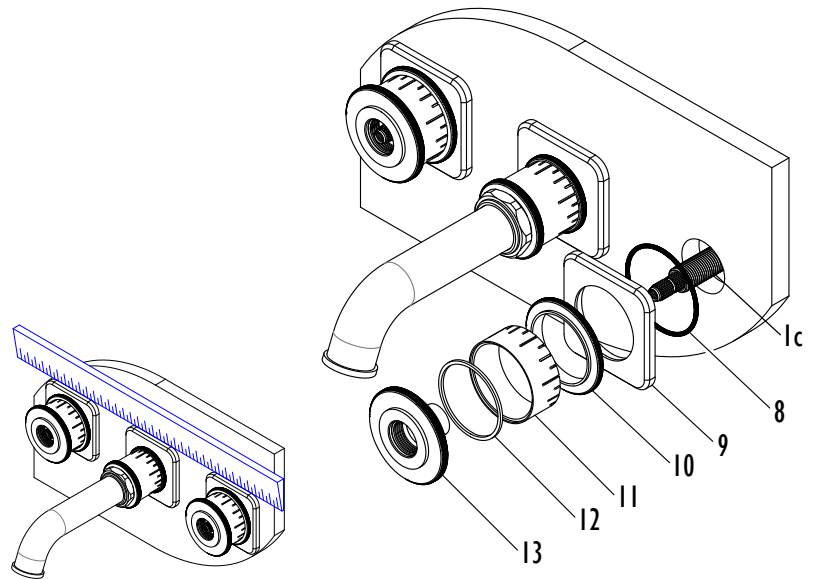


3 INSTALLING ESCUTCHEON

- Insert O-RING (8) into handle BASE (9), place COINED RING (10) on handle BASE (9), position handle RISER (11) on COINED RING (10), fit WASHER (12) to ESCUTCHEON TOP (13), and place ESCUTCHEON TOP (13) onto RISER (11)

NOTE: Confirm orientation of RISER (11); hash marks against handle BASE (9) as shown

- Secure escutcheon onto wall by tightening ESCUTCHEON TOP (13) onto ALL-THREAD (1c)
- To align handle BASES (9), use a ruler or straight edge to align the spout and handle bases of the faucet as shown; after alignment retighten ESCUTCHEON TOP (13)



4 INSTALLING HANDLE

- Slide HANDLE (14) down onto and engage valve STEM (1b)
- Tighten handle NUT (14b)
- Turn on water supply and check for leaks

