

Roman Tub Installation Instructions

CALIFORNIA FAUCETS RECOMMENDS THAT ALL PLUMBING PRODUCTS BE INSTALLED BY A LICENSED PROFESSIONAL

IMPORTANT: Read all instructions prior to installation and provide copy of instructions to consumer.

Operating Specifications:

Recommended Supply Pressure: 20 to 70 psi [1.4 to 4.8 bar] **

* Operating pressures between hot and cold supplies should vary no more than 30 psi [2.1 bar].

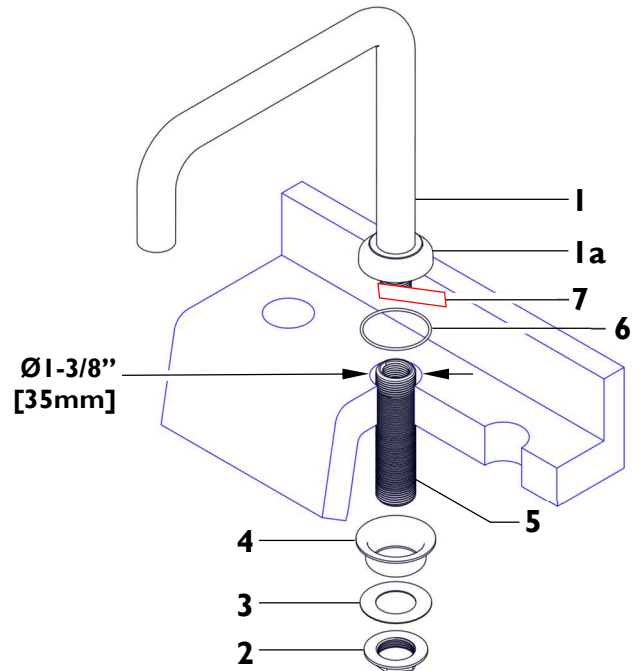
† If water pressure exceeds 70 psi [4.8 bar], install a Pressure-Reducing Valve (PRV).

1 INSTALLING SPOUT

- Remove BRASS NUT (2), WASHER (3), CUP SPACER (4), and SHANK (5) from SPOUT (1)
- Insert O-RING (6) into spout BASE (1a)
- Apply 2 to 3 wraps of Teflon® tape (7) to threaded portion of SPOUT (1)
- Insert spout SHANK (5) through hole in deck

NOTE: Sink / Deck recommended hole size is $\varnothing 1\text{-}3/8"$ [35mm]

- Place CUP SPACER (4), WASHER (3), and BRASS NUT (2) onto spout SHANK (5) from below and secure to tub/deck



2 INSTALLING VALVES

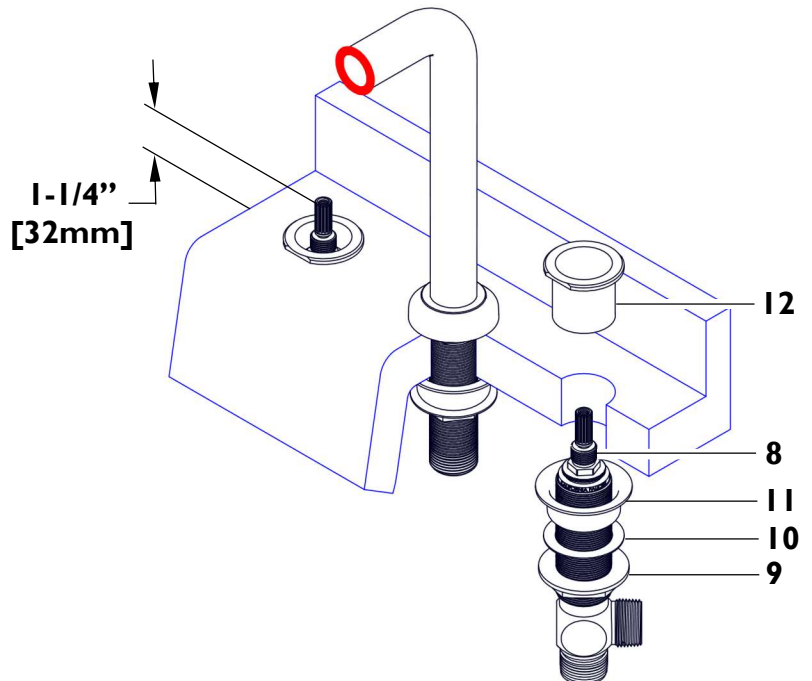
- From underneath, insert VALVE (8) through appropriate tub/deck hole

IMPORTANT: VALVES (7) are labeled as follows:

BLUE is **COLD** left turning (counterclockwise) closed

RED is **HOT** right-turning (clockwise) closed

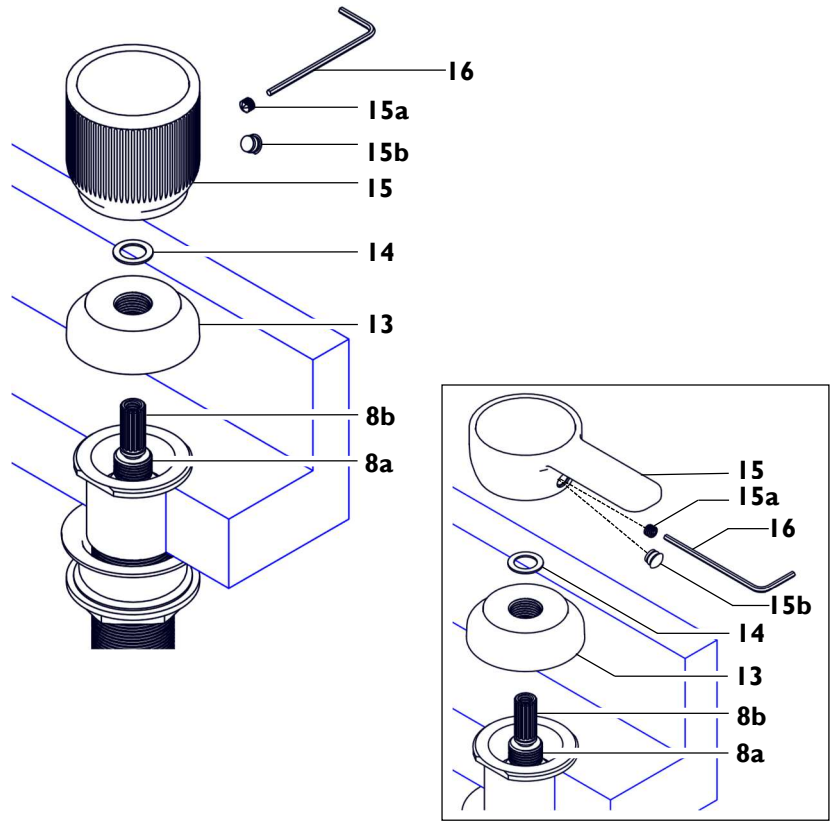
- Position flange NUT (9), WASHER (10), and CUP SPACER (11) (if necessary) so that VALVE (8) extends 1-1/4" [32mm] above tub/deck surface
- Secure VALVE (8) with INVERTED NUT (12)



3 INSTALLING HANDLES

- Attach RING (13) onto valve THREADS (8a)
- Place WASHER (14) onto RING (13)
- Slide HANDLE (15) down onto valve STEM (8b) and secure with SETSCREW (15a) using HEX KEY (16)
- Insert handle BUTTON (15b) into HANDLE (15)

NOTE: To obtain proper alignment it may be necessary to rotate VALVE (8) so that HANDLE (13) is aligned to desired orientation



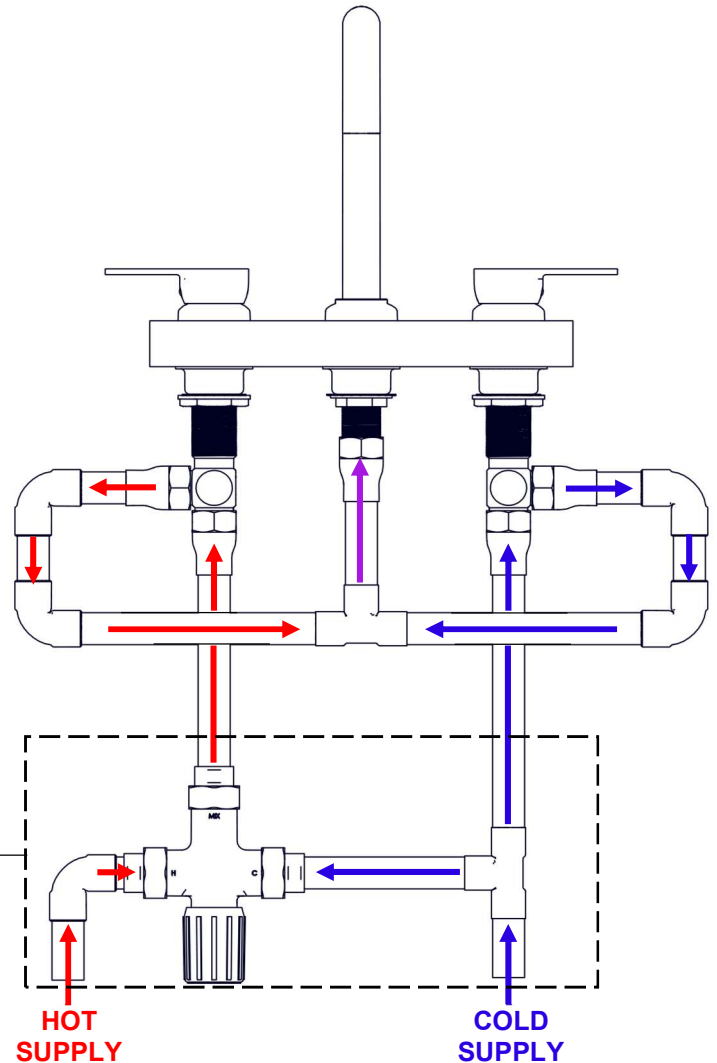
4 INSTALLING SUPPLY LINES

- Must use rigid copper piping (not flex) for all connections between spout and valves
- California Faucets recommends that all installation types have access panel(s) to allow for maintenance and/or service

Disclaimer: To conform to local codes and/or ordinances, it may be required that California Faucets Roman Tub sets be installed in conjunction with an ASSE 1070 approved tempering valve or equivalent (not included) to reduce hot water supply to a safe temperature.

Important: the INSTALLER is responsible to check local codes and/or ordinances, to confirm and verify proper maximum hot water temperature settings for all products installed

Warning: Water temperatures in excess of 110° F (43°C) are dangerous and may cause severe scalding and injury



Typical installation of ASSE 1070 tempering valve (follow tempering valve instructions)