



Handshower and Diverter Trim Only Installation Instructions

CALIFORNIA FAUCETS RECOMMENDS THAT ALL PLUMBING PRODUCTS BE INSTALLED BY A LICENSED PROFESSIONAL

IMPORTANT: Read all instructions prior to installation and provide copy of instructions to consumer.

Operating Specifications:

Recommended Supply Pressure: 20 to 70 psi*† [1.4 to 4.8 bar]

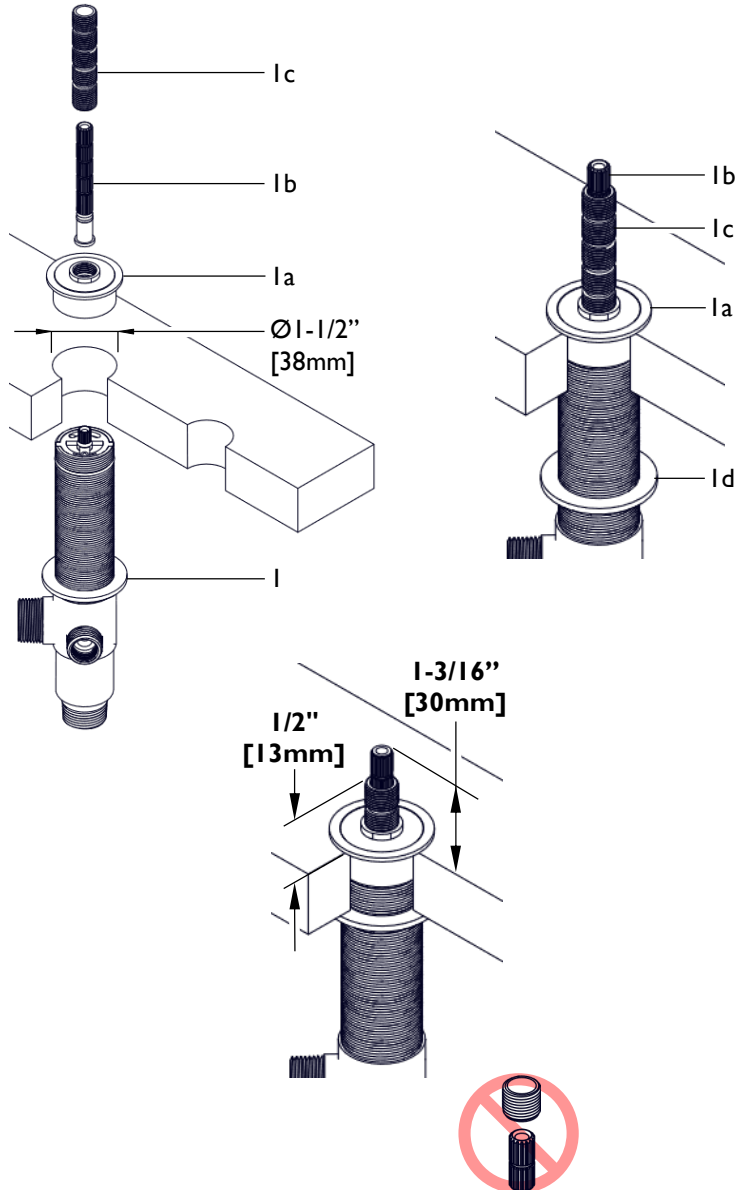
Maximum Flow Rate: 1.5 gpm [57 Lpm]

* Operating pressures between hot and cold supplies should vary no more than 30 psi [2.1 bar].

† If water pressure exceeds 70 psi [4.8 bar], install a Pressure-Reducing Valve (PRV).

INSTALLING DIVERTER VALVE

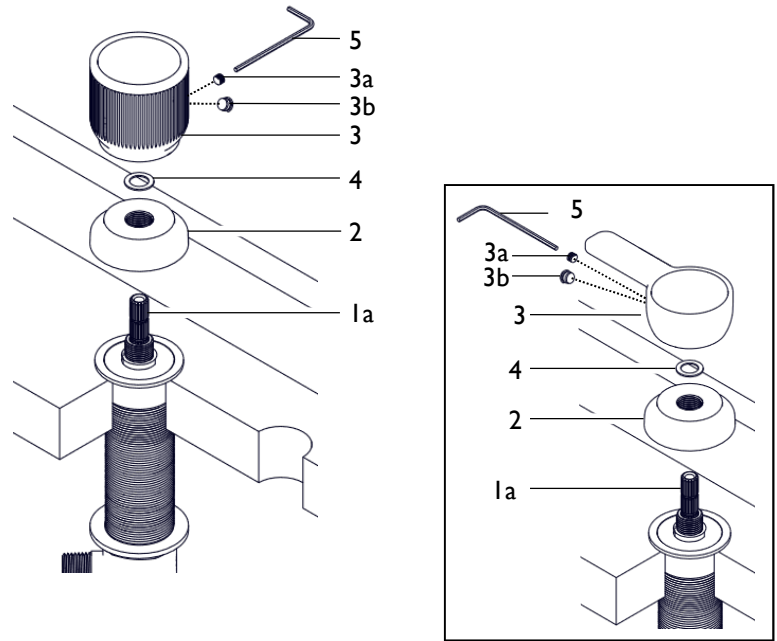
- Tub/Deck recommended hole size shall be **Ø1-1/2" [38mm]**
- Unscrew ALLTHREAD (1c), remove STEM (1b) and unscrew diverter TOP NUT (1a)
- From underside, slide DIVERTER (1) up through tub/deck hole and tighten TOP NUT (1a) onto DIVERTER (1) body
- From underside, secure DIVERTER (1) into place by tightening FLANGE NUT (1d)
- Using the table on the right, trim STEM (1b) to a height of **1-3/16" [30mm]**, then slide into place
- Trim ALLTHREAD (1c) to **1/2" [13mm]**, then tighten into place
- Place HANDLE (3a) on DIVERTER (1) to confirm proper alignment. Rotate & retighten DIVERTER (1) if necessary



2 INSTALLING HANDLE

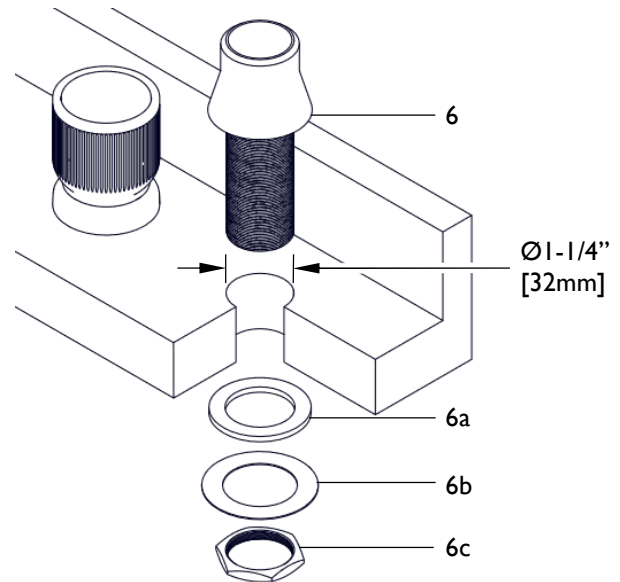
- Place base RING (2) onto valve THREADS (1a) and secure to tub/deck surface
- Place WASHER (4) onto base RING (2)
- Slide HANDLE (3) down onto valve STEM (1b)
- Secure HANDLE (3) with SETSCREWS (3a) using HEX KEY (5)
- Insert handle BUTTON (3b) into HANDLE (3a)
- Rotate HANDLE (3a) to check operation. Open position is when HANDLE is rotated forward

IMPORTANT: For correct handle alignment, it may be necessary to loosen LOCK NUT (2a) and FLANGE NUT (1f), and then rotate DIVERTER (1) so that HANDLE (3a) is properly oriented.



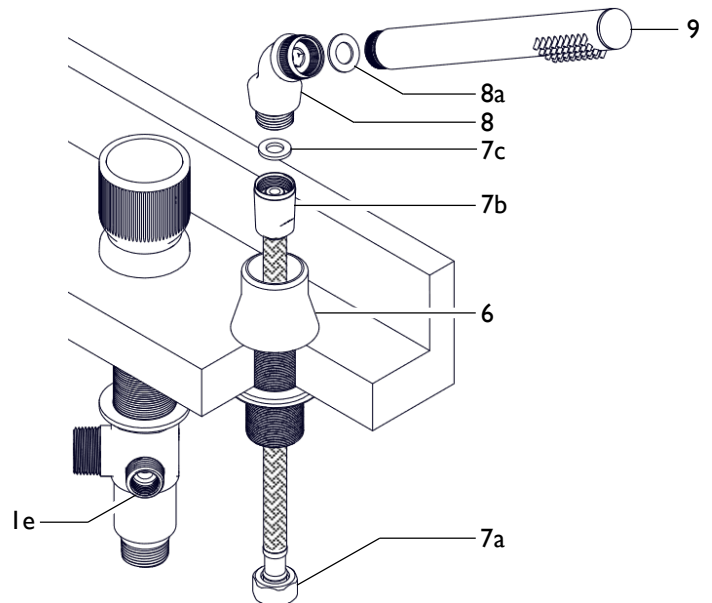
3 INSTALLING HANDSHOWER HOLDER

- Tub/Deck recommended hole size shall be $\varnothing 1-1/4"$ [32mm]
- Place HOLDER (6) through and tub/deck hole
- From underside slide RUBBER WASHER (6a) and STEEL WASHER (6b) onto HOLDER (6)
- Secure HOLDER (6) in place with NUT (6c)



4 INSTALLING HANDSHOWER

- Slide HEX END (7a) of hose down through HOLDER (6)
- Insert RUBBER WASHER (7c) into CONICAL END (7b) of hose and tighten onto ELBOW (8)
- Insert FIBER WASHER (8a) into swivel nut of ELBOW (8) and tighten HANDSHOWER (9) to ELBOW (8)
- Attach HEX END (7a) of hose to 1/2\"/>



5 INSTALLING SUPPLY LINES

- Must use rigid copper piping (not flex) for all connections between spout and valves
- California Faucets recommends that all installation types have access panel(s) to allow for maintenance and/or service

Disclaimer: To conform to many local codes and/or ordinances, it may be required that California Faucets Roman Tub with Handshower sets be installed in conjunction with an ASSE 1070 approved tempering valve to reduce the hot water supply to a safe temperature.

Important: The **INSTALLER** is responsible to check local codes and/or ordinances, to confirm and verify proper maximum hot water temperature settings for all products installed

Warning: Water temperatures in excess 110°F (43°C) are dangerous and may cause severe scalding and injury

