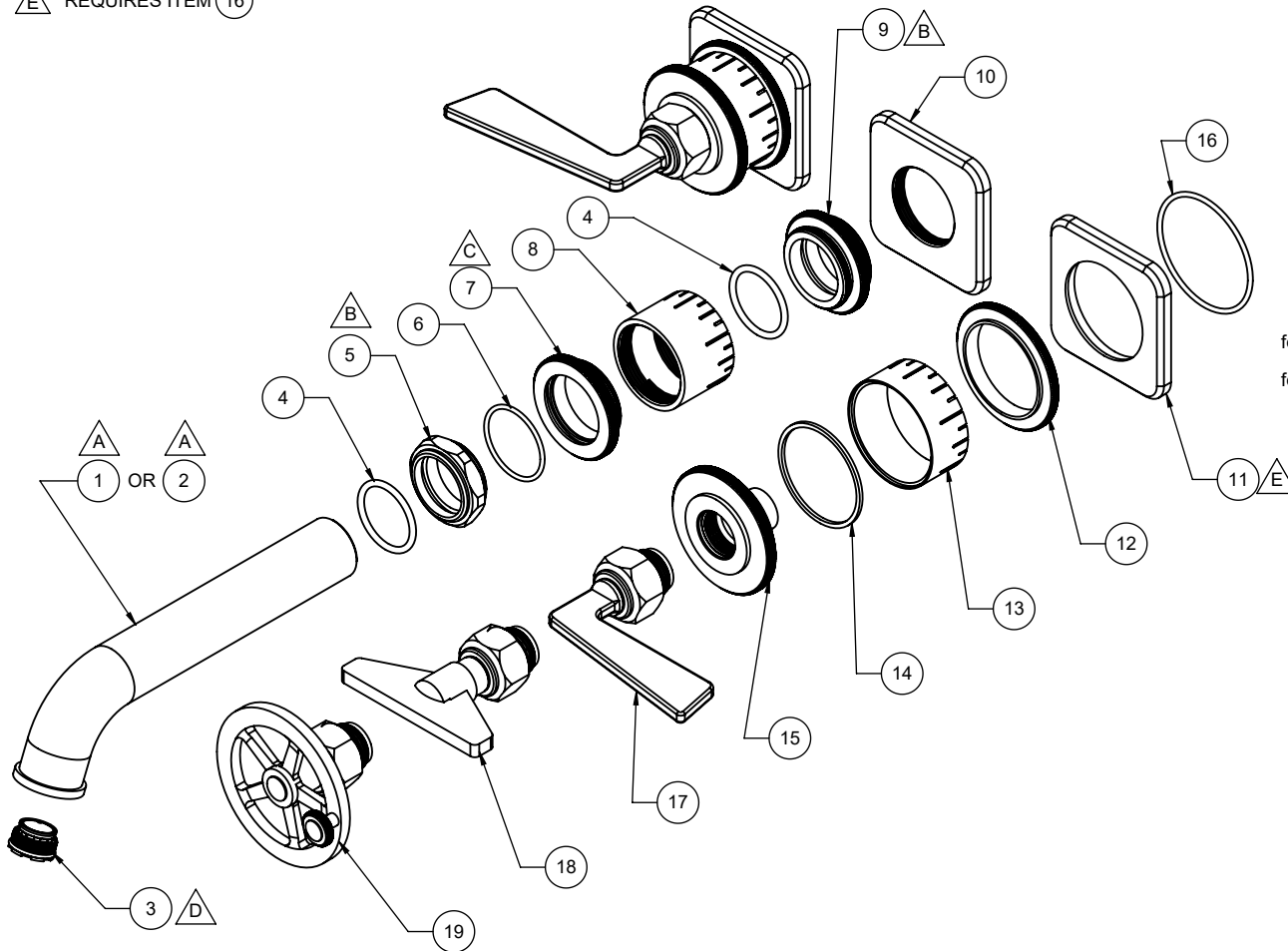


TO-V8502-7
 TO-V8502B-7
 TO-V8502W-7
 TO-V8502-9
 TO-V8502B-9
 TO-V8502W-9

- △ A REQUIRES ITEM ③
- △ B REQUIRES ITEM ④
- △ C REQUIRES ITEM ⑥
- △ D REQUIRES ITEM ⑳
- △ E REQUIRES ITEM ⑯



To order spare parts add and/or replace as stated below:

SPD- prefix added to part number(s)
-ZZ replaced with finish code (see finish table)
-WW replaced with **-90** (light finish) or **-96** (dark finish)

Ex: **SPD-7-100463-PC** or **SPD-86030-96**

ITEM	PART NO	DESCRIPTION	QTY.
1	7-100314-ZZ	ASM, VS SPOUT, 7", ANGLED OUTLET - SMOOTH	1
2	7-100315-ZZ	ASM, VS SPOUT, 9", ANGLED OUTLET - SMOOTH	1
3	880357-81	INSERT, 1.2 GPM, TJ AERATED (PCA CACHE) - PINK	1
4	87026-80	O-RING 26.64 X 2.62 (-121) BUNA-N A70	2
5	10859-ZZ	HEX, WALL SPOUT BASE	1
6	87196-80	O-RING Ø29.87 X 1.78 (-025) BUNA-N A70	1
7	10817-ZZ	COIN, SPOUT BASE TOP	1
8	10816-ZZ	BASE, SPOUT W/ HASH	1
9	10815-ZZ	COIN, SPOUT BASE BOTTOM	1
10	10814-ZZ	RING, SQ ROUNDED SPOUT BASE	1
11	10820-ZZ	RING, SQ ROUNDED BASE	2
12	10821-ZZ	COIN, ESCUTCHEON BOTTOM	2
13	10822-ZZ	ESCUTCHEON, HASHED	2
14	87254-81	WSHR Ø42.16" X Ø45.87 X 1.57MM ACETAL	2
15	10823-ZZ	COIN, ESCUTCHEON TOP	2
16	87263-80	O-RING Ø49.00 X 2.00 (NA) BUNA-N A70	2
17	7-100322-ZZ	ASM, FLAG INDUSTRIAL LEVER	2
18	7-100324-ZZ	ASM, KEY INDUSTRIAL LEVER	2
19	7-100323-ZZ	ASM, WHEEL INDUSTRIAL LEVER	2
20	880079-99	KEY, TJ AERATED CACHE	1

for all -7
 for all -9

 for 85 Series
 for 85B Series
 for 85W Series