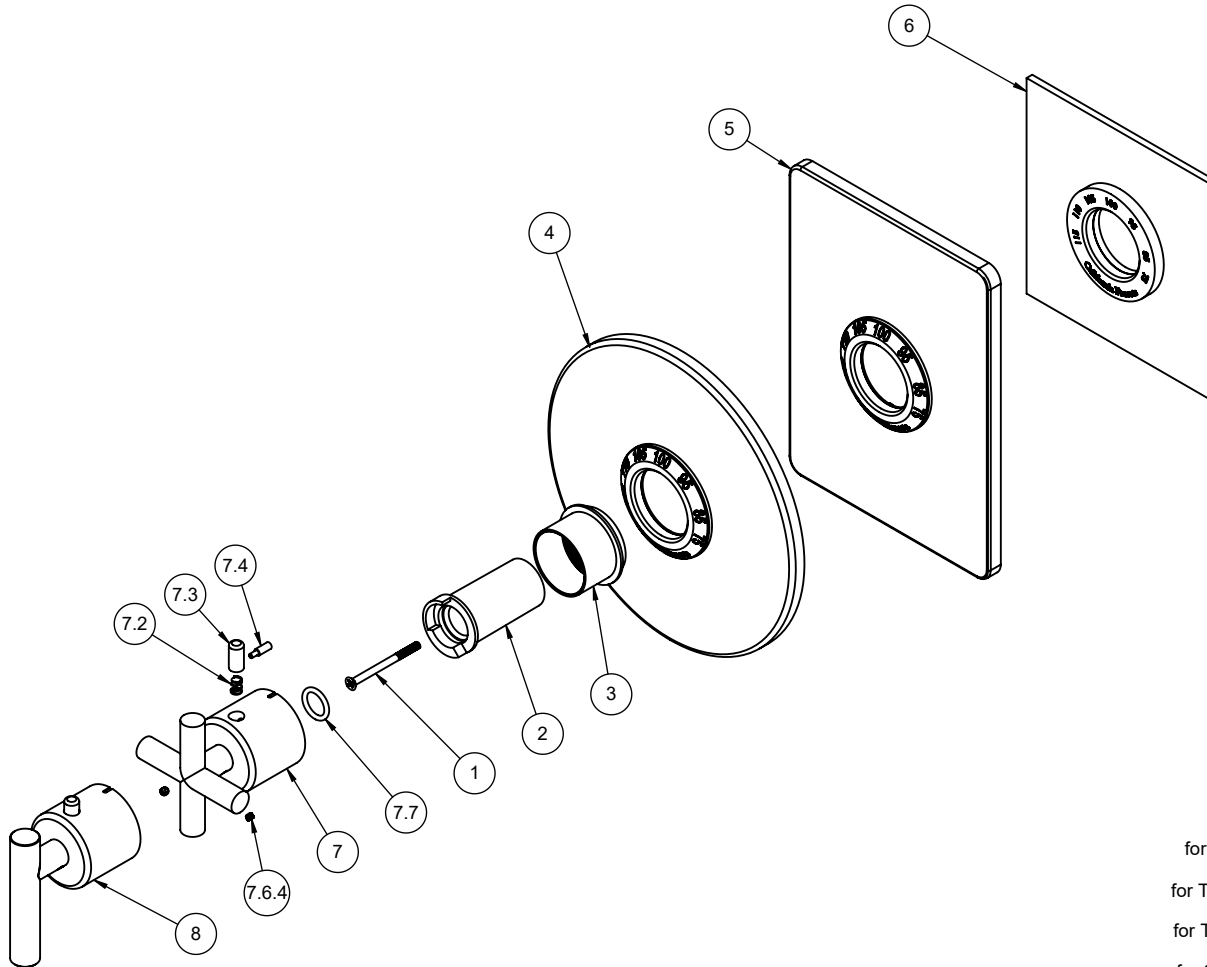


TO-THN-65  
 TO-THN-66  
 TO-THCN-65  
 TO-THCN-66  
 TO-THFN-65  
 TO-THFN-66



To order spare parts add and/or replace as stated below:

**SPD-** prefix added to part number(s)

**-ZZ** replaced with finish code (see finish table)

**-WW** replaced with **-90** (light finish) or **-96** (dark finish)

Ex: **SPD-7-100463-PC** or **SPD-86030-96**

ITEM	PART NO.	DESCRIPTION	QTY
1	86059-90	SCREW M4 X 0.7 X 60MM PH FLT HD SS	1
2	10092-81	STOP, THERM TEMP, SHORT	1
3	10090-ZZ	SLEEVE, THERMO MOUNTING	1
for TO-THN	4	7-100040-ZZ ASM, SHWRPLATE, CONT RD, THERM	1
for TO-THCN	5	7-100046-ZZ ASM, SHWRPLATE, CONT SQ, THERM	1
for TO-THFN	6	7-100238-ZZ ASM, SHOWERPLATE, CONT SQ, THERM	1
for 65 Series	7	TH-H-65-ZZ THERM HANDLE KIT (incl. 7.2, 7.3, 7.4, 7.6.4, 7.7)	1
	7.2	10098-90 SPRING, Ø.24 X .312 LG, 1.4 LB/IN	1
	7.3	10093-81 BUTTON, BLACK THERM	1
	7.4	10062-98 PIN, THERMO BONNET	1
	7.6.4	86030-WW SETSCREW 8-32 X 1/8 SCKT HD CUP PT SS	2
	7.7	87222-80 O-RING Ø13.94 X 2.62 (-113) EPDM A70 (NSF61-12 & WRAS)	1
for 66 Series	8	TH-H-66-ZZ THERM HANDLE KIT (incl. 7.2, 7.3, 7.4, 7.6.4, 7.7)	1
for ITEM 7.6.4	9	882042-99 KEY, ALLEN, 5/64", BLACK	1