
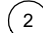

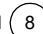
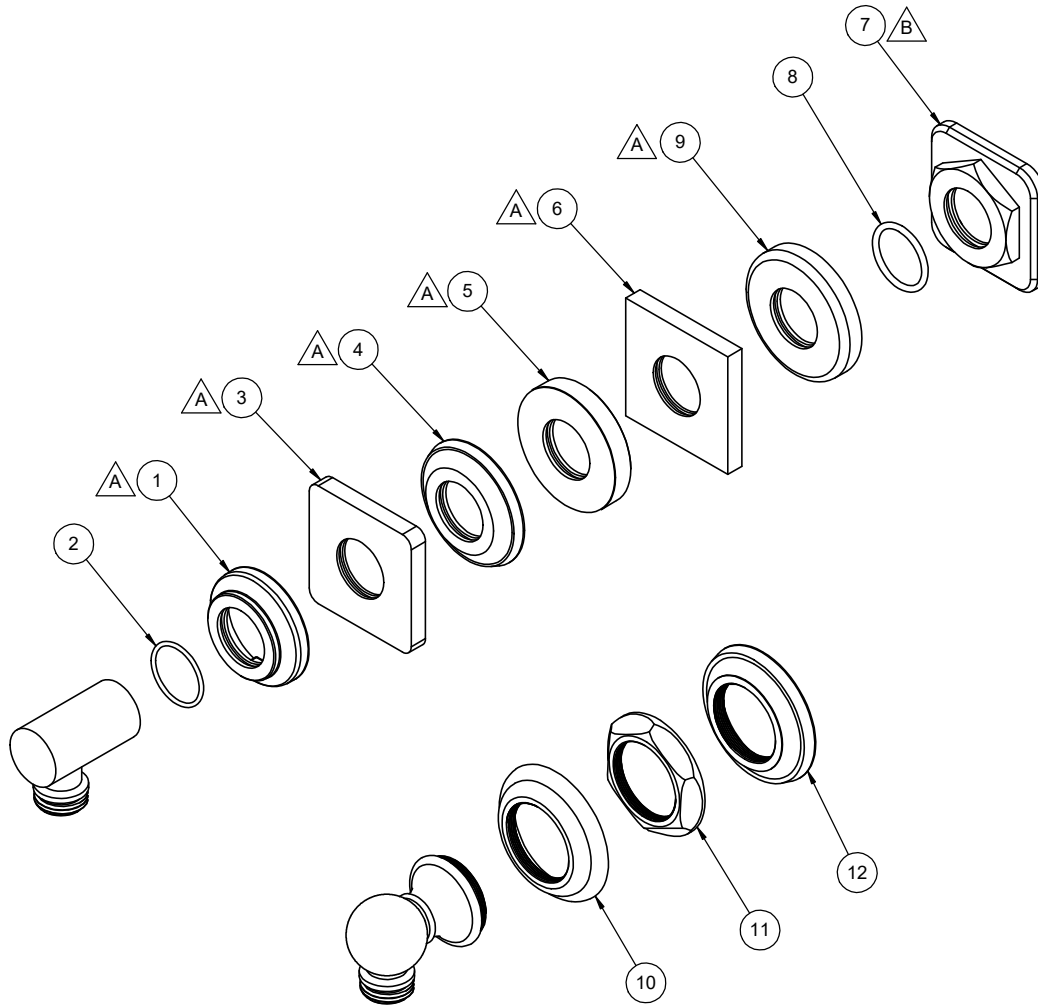


-  REQUIRES ITEM 
-  REQUIRES ITEM 



- SH-10-37
- SH-10-42
- SH-10-45
- SH-10-47
- SH-10-48
- SH-10-65
- SH-10-77
- SH-10-85
- SH-10-87
- SH-10-C1

To order spare parts add and/or replace as stated below:

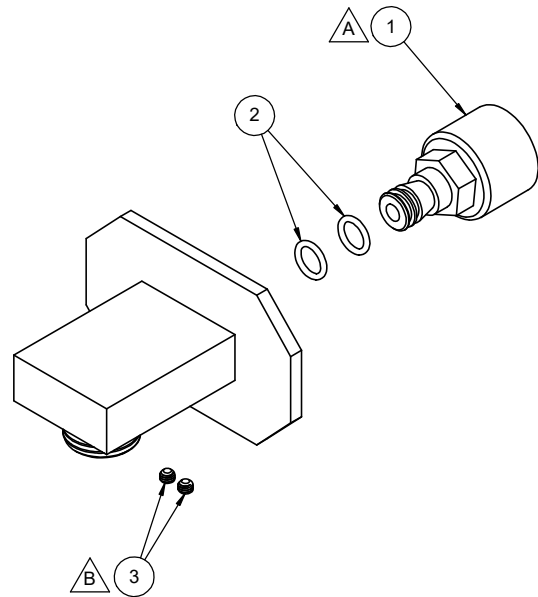
**SPD-** prefix added to part number(s)  
**-ZZ** replaced with finish code (see finish table)  
**-WW** replaced with **-90** (light finish) or **-96** (dark finish)

Ex: **SPD-7-100463-PC** or **SPD-86030-96**

	ITEM	PART NO.	DESCRIPTION	QTY
for 87 Series	1	11564-ZZ	BASE RING, ART DECO WALL SPOUT	1
	2	87204-80	O-RING Ø25.12 X 1.78 (-022) EPDM A70 (NSF-61 & WRAS)	1
for 37 Series	3	11357-ZZ	SHOWER BRACKET BASE RING, RNDED SQ	1
for 45 Series	4	51206-ZZ	BASE RING, SC ROUND, 26.4MM ID	1
for 65 Series	5	50903-ZZ	BASE RING, RD, SWIVEL HNDSHWR	1
for 77 Series	6	50902-ZZ	BASE RING, SQ, SWIVEL HNDSHWR	1
for 85 Series	7	10981-ZZ	BASE RING, QUAD W/ HEX & Ø26.4MM THRU HOLE	1
	8	87202-80	O-RING Ø25.07 X 2.62 (-120) BUNA-N A70 (NSF-61-12 & WRAS)	1
for C1 Series	9	11009-ZZ	RING, Ø26.4MM ID BASE W/ ID GROOVE, R3.0MM	1
for 42 Series	10	11121-ZZ	BASE RING, TRAD, Ø59.5 W/ 1-3/8-28 THD	1
for 47 Series	11	10415-ZZ	BASE RING, HEX	1
for 48 Series	12	10363-ZZ	RING, BASE, TRAD	1

△ REQUIRES ITEM 2

△ REQUIRES ITEM 4



To order spare parts add and/or replace as stated below:

**SPD-** prefix added to part number(s)

**-ZZ** replaced with finish code (see finish table)

**-WW** replaced with **-90** (light finish) or **-96** (dark finish)

Ex: **SPD-7-100463-PC** or **SPD-86030-96**

ITEM	PART NO.	DESCRIPTION	QTY	
1	880243-98	QC, SQ. SUPPLY ELL	1	
2	87116-80	O-RING 8.0 X 1.65 (NA) BUNA-N A70	2	
3	86103-WW	SETSCREW M4 X 0.7 X 3.5MM SCKT HD CONE PT SS	2	
for ITEM 3	4	880003-92	KEY, ALLEN, 2MM	1