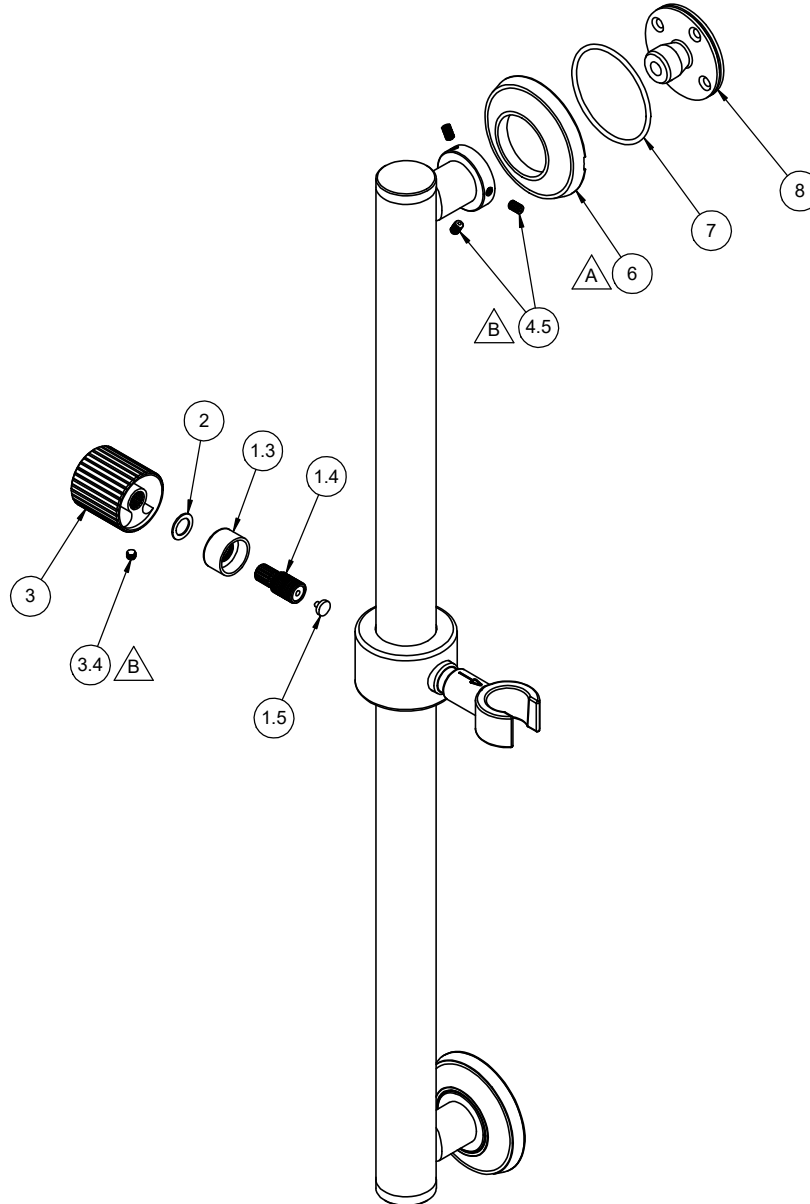


- △ REQUIRES ITEM 7
- △ REQUIRES ITEM 9



To order spare parts add and/or replace as stated below:

**SPD-** prefix added to part number(s)  
**-ZZ** replaced with finish code (see finish table)  
**-WW** replaced with **-90** (light finish) or **-96** (dark finish)

Ex: **SPD-7-100463-PC** or **SPD-86030-96**

ITEM	PART NO.	DESCRIPTION	QTY
1.3	50864-ZZ	SKIRT, CONT SLIDE BAR LEVER	1
1.4	50866-98	BROACH, SLIDE BAR STEM	1
1.5	913667-99	FRICTION STOP INSERT, HANDSHWR SLIDE - POM	1
2	87340-81	WSHR Ø.590" X Ø.390" X .030" BLK UHMW	1
3	7-100618-ZZ	ASM, PINSTRIPE SMALL CYL HDL (incl. 3.4)	1
3.4	86047-90	SETSCREW 10-24 X 3/16 SCKT HD CONE PT SS	1
4.5	881302-99	SETSCREW 10-24 X 5/16 SCKT HD SS	6
6	50828-ZZ	RING, SCALLOPED GRAB BAR BASE	2
7	87262-80	O-RING Ø53.00 X 2.50 (NA) BUNA-N A70	2
8	50824-15B	FLANGE, GRAB BAR WALL MOUNT	2
9	882043-99	KEY, ALLEN, 3/32", BLACK	1

for ITEM 3.4 & 4.5