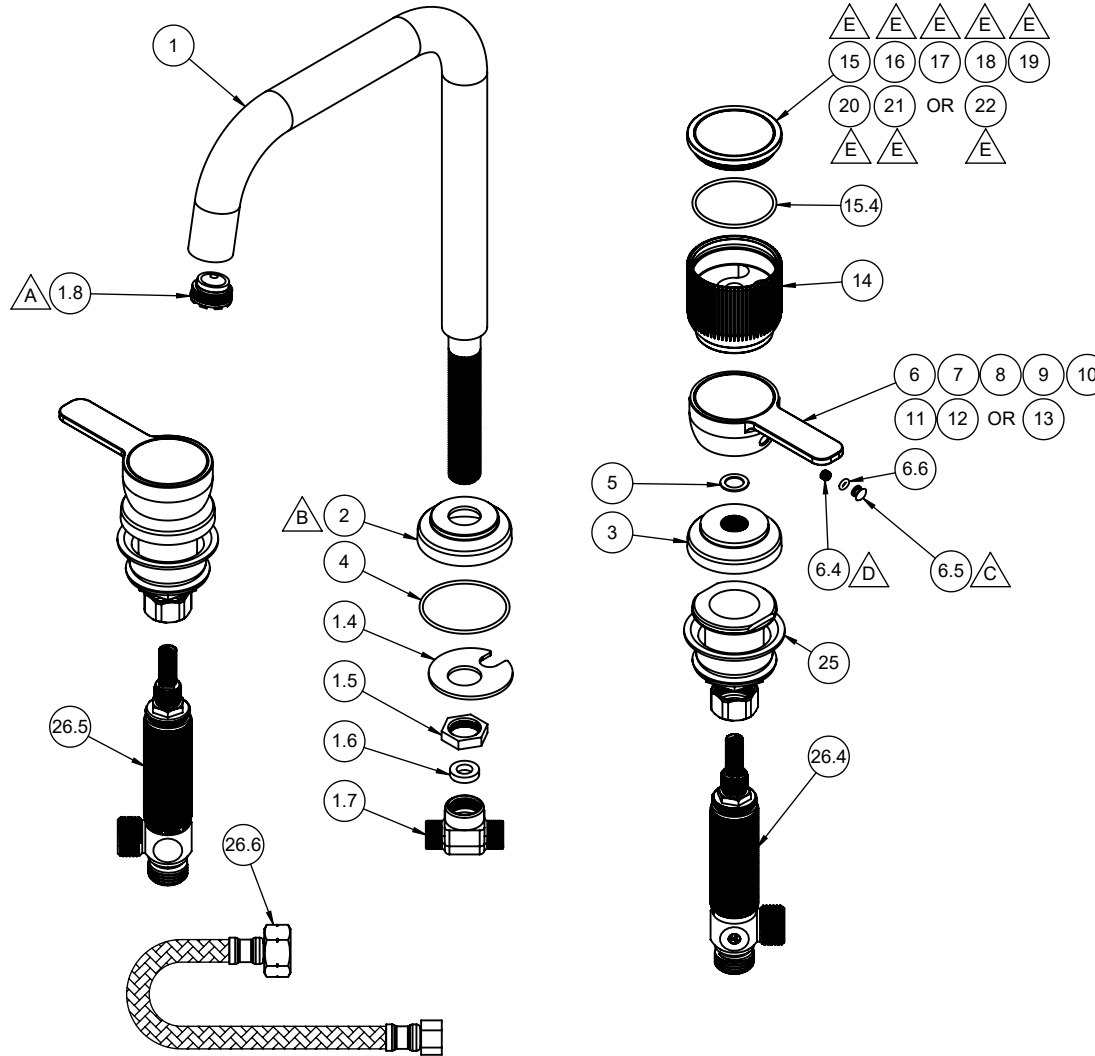


- △ REQUIRES ITEM (24)
- △ REQUIRES ITEM (4)
- △ REQUIRES ITEM (6.6)
- △ REQUIRES ITEM (23)
- △ REQUIRES ITEM (15.4)



- 8702
- 8702-BG
- 8702-BKS
- 8702-WS
- 8702-RS
- 8702-GS
- 8702-BS
- 8702-TES
- 8702P
- 8702P-BG
- 8702P-BKS
- 8702P-WS
- 8702P-RS
- 8702P-GS
- 8702P-BS
- 8702P-TES

8702P 8702
 8702P-BG 8702-BG
 8702P-BKS 8702-BKS
 8702P-WS 8702-WS
 8702P-RS 8702-RS
 8702P-GS 8702-GS
 8702P-BS 8702-BS
 8702P-TES 8702-TES

To order spare parts add and/or replace as stated below:

SPD- prefix added to part number(s)
 -ZZ replaced with finish code (see finish table)
 -WW replaced with -90 (light finish) or -96 (dark finish)

Ex: SPD-7-100463-PC or SPD-86030-96

	ITEM	PART NO.	DESCRIPTION	QTY
for 8702P-TES Series	13	7-100727- <i>TES-ZZ</i>	ASM, HANDLE, ART DECO LEVER, TIGER EYE <i>(incl. 6.4, 6.5, 6.6)</i>	2
for all 8702P Series	14	7-100726- <i>ZZ</i>	ASM, HANDLE, ART DECO CYLINDER <i>(incl. 6.4, 6.5, 6.6)</i>	1
for 8702P Series	15	7-100775- <i>ZZ</i>	ASM, ART DECO CYL HDL CAP	1
for ITEMS 15 to 22	15.4	87175-80	O-RING Ø41.00 X 1.78 (-030) BUNA-N A70 <i>(incl. 15.4)</i>	1
for 8702P-BG Series	16	7-100775- <i>BG-ZZ</i>	ASM, ART DECO CYL HDL CAP, BLACK GLASS <i>(incl. 15.4)</i>	2
for 8702P-BKS Series	17	7-100775- <i>BKS-ZZ</i>	ASM, ART DECO CYL HDL CAP, BLACK MARBLE <i>(incl. 15.4)</i>	2
for 8702P-WS Series	18	7-100775- <i>WS-ZZ</i>	ASM, ART DECO CYL HDL CAP, WHITE MARBLE <i>(incl. 15.4)</i>	2
for 8702P-RS Series	19	7-100775- <i>RS-ZZ</i>	ASM, ART DECO CYL HDL CAP, RED JASPER <i>(incl. 15.4)</i>	2
for 8702P-GS Series	20	7-100775- <i>GS-ZZ</i>	ASM, ART DECO CYL HDL CAP, GREEN AVENTURINE <i>(incl. 15.4)</i>	2
for 8702P-BS Series	21	7-100775- <i>BS-ZZ</i>	ASM, ART DECO CYL HDL CAP, BLUE SODALITE <i>(incl. 15.4)</i>	2
for 8702P-TES Series	22	7-100775- <i>TES-ZZ</i>	ASM, ART DECO CYL HDL CAP, TIGER EYE <i>(incl. 15.4)</i>	2
for ITEM 6.4	23	882043-99	KEY, ALLEN, 3/32", BLACK	1
for ITEM 1.8	24	880255-81	KEY, JR AERATED CACHE	1
	25	6-200294	KIT, W/S INV NUT - 2 SETS (1 SET= 6-200294-1)	1
	26.4	6-200087	ASM, COLD-LAV "NL" BODY & CART (.25 Pb)-G4	1
	26.5	6-200088	ASM, HOT-LAV "NL" BODY, CART (.25 Pb)-G4	1
	26.6	880099-99	HOSE, POLY BRAIDED, 1/2 IPS X 3/8 CMP X 12 (DN6-SILICONE) (NL, NSF-61-12 & WRAS)	2

	ITEM	PART NO.	DESCRIPTION	QTY
	1	7-100724- <i>ZZ</i>	ASM, QUAD LAV SPOUT, Ø24MM <i>(incl. 1.4, 1.5, 1.6, 1.7, 1.8)</i>	1
	1.4	881766-99	WSHR HORSESHOE	1
	1.5	881276-99	NUT, HEX 3/8"-18 NPSM X .20 HT	1
	1.6	87162-80	WSHR Ø8.5 X Ø15.5 X 3.5MM EPDM A70 (NSF-61-12 & WRAS)	1
	1.7	880083-90	TEE, 3-WAY LAV - SS	1
	1.8	880433-81	INSERT, JUNIOR, 1.2 GPM CACHE AERATED	1
	2	11508- <i>ZZ</i>	SPOUT BASE, Ø50MM, ART DECO	1
	3	11489- <i>ZZ</i>	ESCUTCHEON, BEVEL ART DECO	2
	4	87093-80	O-RING Ø44.17 X 1.78 (-031) BUNA-N A70	1
	5	87340-81	WSHR Ø.590" X Ø.390" X .030" BLK UHMW	2
for 8702 Series	6	7-100727- <i>ZZ</i>	ASM, HANDLE, ART DECO LEVER <i>(incl. 6.4, 6.5, 6.6)</i>	2
	6.4	86047-90	SETSCREW 10-24 X 3/16 SCKT HD CONE PT SS	1
	6.5	10444- <i>ZZ</i>	CAP, HANDLE SCRW	1
	6.6	87321-80	O-RING Ø2.80 X 1.90 (NA) BUNA-N A70	1
for 8702-BG Series	7	7-100727- <i>BG-ZZ</i>	ASM, HANDLE, ART DECO LEVER, BLACK GLASS <i>(incl. 6.4, 6.5, 6.6)</i>	2
for 8702-BKS Series	8	7-100727- <i>BKS-ZZ</i>	ASM, HANDLE, ART DECO LEVER, BLACK MARBLE <i>(incl. 6.4, 6.5, 6.6)</i>	2
for 8702-WS Series	9	7-100727- <i>WS-ZZ</i>	ASM, HANDLE, ART DECO LEVER, WHITE MARBLE <i>(incl. 6.4, 6.5, 6.6)</i>	2
for 8702-RS Series	10	7-100727- <i>RS-ZZ</i>	ASM, HANDLE, ART DECO LEVER, RED JASPER <i>(incl. 6.4, 6.5, 6.6)</i>	2
for 8702-GS Series	11	7-100727- <i>GS-ZZ</i>	ASM, HANDLE, ART DECO LEVER, GREEN AVENTURINE <i>(incl. 6.4, 6.5, 6.6)</i>	2
for 8702-BS Series	12	7-100727- <i>BS-ZZ</i>	ASM, HANDLE, ART DECO LEVER, BLUE SODALITE <i>(incl. 6.4, 6.5, 6.6)</i>	2