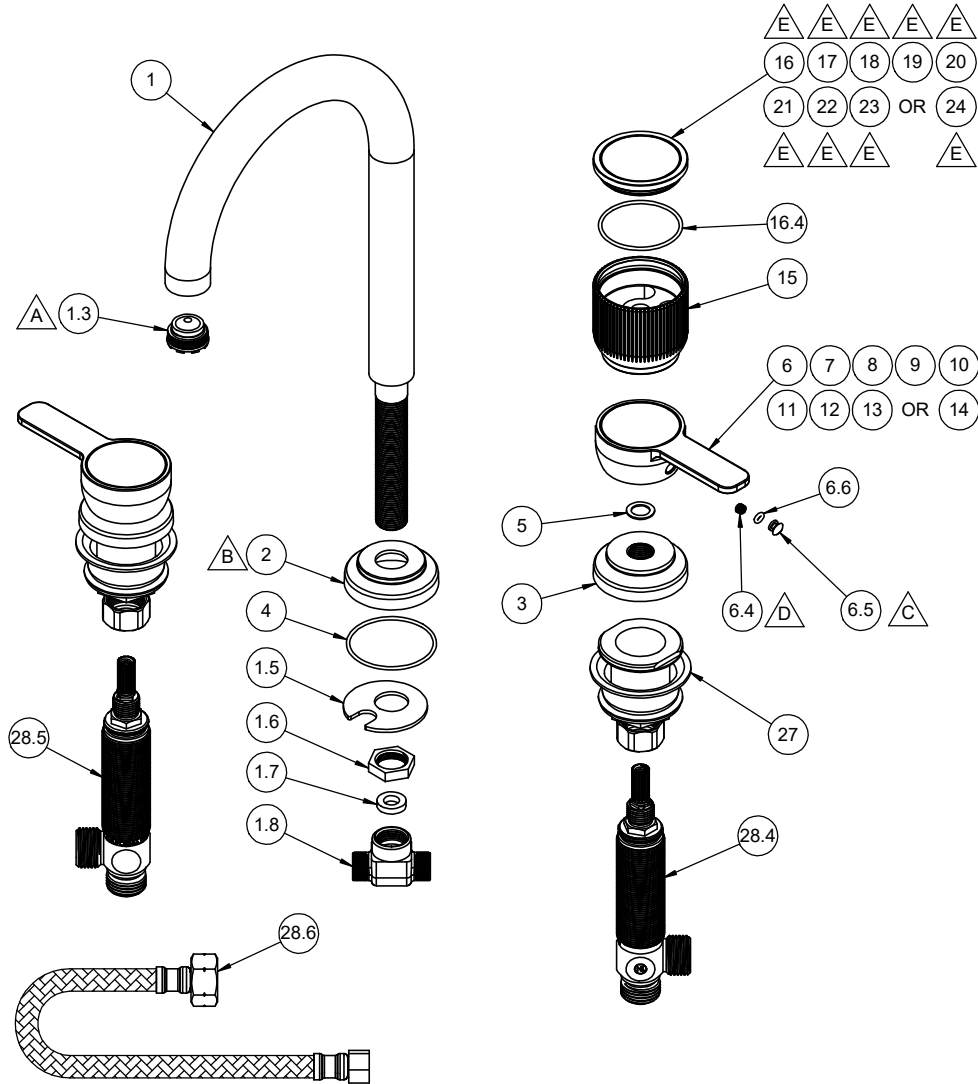


- △ A REQUIRES ITEM (26)
- △ B REQUIRES ITEM (4)
- △ C REQUIRES ITEM (6.6)
- △ D REQUIRES ITEM (25)
- △ E REQUIRES ITEM (16.4)



- 8702A
- 8702A-BG
- 8702A-BKS
- 8702A-WS
- 8702A-RS
- 8702A-PS
- 8702A-GS
- 8702A-BS
- 8702A-TES
- 8702AP
- 8702AP-BG
- 8702AP-BKS
- 8702AP-WS
- 8702AP-RS
- 8702AP-PS
- 8702AP-GS
- 8702AP-BS
- 8702AP-TES

8702AP 8702A
 8702AP-BG 8702A-BG
 8702AP-BKS 8702A-BKS
 8702AP-WS 8702A-WS
 8702AP-RS 8702A-RS
 8702AP-PS 8702A-PS
 8702AP-GS 8702A-GS
 8702AP-BS 8702A-BS
 8702AP-TES 8702A-TES

To order spare parts add and/or replace as stated below:

SPD- prefix added to part number(s)
-ZZ replaced with finish code (see finish table)
-WW replaced with **-90** (light finish) or **-96** (dark finish)

Ex: **SPD-7-100463-PC** or **SPD-86030-96**

	ITEM	PART NO.	DESCRIPTION	QTY
for 8702A-BS Series	13	7-100727-BS-ZZ	ASM, HANDLE, ART DECO LEVER, BLUE SODALITE <i>(incl. 6.4, 6.5, 6.6)</i>	2
for 8702A-TES Series	14	7-100727-TES-ZZ	ASM, HANDLE, ART DECO LEVER, TIGER EYE <i>(incl. 6.4, 6.5, 6.6)</i>	2
for all 8702AP Series	15	7-100726-ZZ	ASM, HANDLE, ART DECO CYLINDER <i>(incl. 6.4, 6.5, 6.6)</i>	2
for 8702AP Series	16	7-100775-ZZ	ASM, ART DECO CYL HDL CAP <i>(incl. 16.4)</i>	2
for ITEMS 16 to 24	16.4	87175-80	O-RING Ø41.00 X 1.78 (-030) BUNA-N A70	1
for 8702AP-BG Series	17	7-100775-BG-ZZ	ASM, ART DECO CYL HDL CAP, BLACK GLASS <i>(incl. 16.4)</i>	2
for 8702AP-BKS Series	18	7-100775-BKS-ZZ	ASM, ART DECO CYL HDL CAP, BLACK MARBLE <i>(incl. 16.4)</i>	2
for 8702AP-WS Series	19	7-100775-WS-ZZ	ASM, ART DECO CYL HDL CAP, WHITE MARBLE <i>(incl. 16.4)</i>	2
for 8702AP-RS Series	20	7-100775-RS-ZZ	ASM, ART DECO CYL HDL CAP, RED JASPER <i>(incl. 16.4)</i>	2
for 8702AP-PS Series	21	7-100775-PS-ZZ	ASM, ART DECO CYL HDL CAP, ROSE QUARTZ <i>(incl. 16.4)</i>	2
for 8702AP-GS Series	22	7-100775-GS-ZZ	ASM, ART DECO CYL HDL CAP, GREEN AVENTURINE <i>(incl. 16.4)</i>	2
for 8702AP-BS Series	23	7-100775-BS-ZZ	ASM, ART DECO CYL HDL CAP, BLUE SODALITE <i>(incl. 16.4)</i>	2
for 8702AP-TES Series	24	7-100775-TES-ZZ	ASM, ART DECO CYL HDL CAP, TIGER EYE <i>(incl. 16.4)</i>	2
for ITEM 6.4	25	882043-99	KEY, ALLEN, 3/32", BLACK	1
for ITEM 1.3	26	880255-81	KEY, JR AERATED CACHE	1
	27	6-200294	KIT, W/S INV NUT - 2 SETS (1 SET= 6-200294-1)	1
	28.4	6-200087	ASM, COLD-LAV "NL" BODY & CART (.25 Pb)-G4	1
	28.5	6-200088	ASM, HOT-LAV "NL" BODY, CART (.25 Pb)-G4	1
	28.6	880099-99	HOSE, POLY BRAIDED, 1/2 IPS X 3/8 CMP X 12 (DN6-SILICONE) (NL, NSF-61-12 & WRAS)	2

	ITEM	PART NO.	DESCRIPTION	QTY
	1	7-100725-ZZ	ASM, CANE LAV SPOUT, Ø24MM <i>(incl. 1.3, 1.5, 1.6, 1.7, 1.8)</i>	1
	1.3	880648-81	INSERT, JUNIOR, 1.2 GPM CACHE AERATED	1
	1.5	881766-99	WSHR HORSESHOE	1
	1.6	881276-99	NUT, HEX 3/8"-18 NPSM X .20 HT	1
	1.7	87162-80	WSHR Ø8.5 X Ø15.5 X 3.5MM EPDM A70 (NSF-61-12 & WRAS)	1
	1.8	880083-90	TEE, 3-WAY LAV - SS	1
	2	11508-ZZ	SPOUT BASE, Ø50MM, ART DECO	1
	3	11489-ZZ	ESCUTCHEON, BEVEL ART DECO	2
	4	87093-80	O-RING Ø44.17 X 1.78 (-031) BUNA-N A70	1
	5	87340-81	WSHR Ø.590" X Ø.390" X .030" BLK UHMW	2
for 8702A Series	6	7-100727-ZZ	ASM, HANDLE, ART DECO LEVER <i>(incl. 6.4, 6.5, 6.6)</i>	2
	6.4	86047-90	SETSCREW 10-24 X 3/16 SCKT HD CONE PT SS	1
	6.5	10444-ZZ	CAP, HANDLE SCRW	1
	6.6	87321-80	O-RING Ø2.80 X 1.90 (NA) BUNA-N A70	1
for 8702A-BG Series	7	7-100727-BG-ZZ	ASM, HANDLE, ART DECO LEVER, BLACK GLASS <i>(incl. 6.4, 6.5, 6.6)</i>	2
for 8702A-BKS Series	8	7-100727-BKS-ZZ	ASM, HANDLE, ART DECO LEVER, BLACK MARBLE <i>(incl. 6.4, 6.5, 6.6)</i>	2
for 8702A-WS Series	9	7-100727-WS-ZZ	ASM, HANDLE, ART DECO LEVER, WHITE MARBLE <i>(incl. 6.4, 6.5, 6.6)</i>	2
for 8702A-RS Series	10	7-100727-RS-ZZ	ASM, HANDLE, ART DECO LEVER, RED JASPER <i>(incl. 6.4, 6.5, 6.6)</i>	2
for 8702A-PS Series	11	7-100727-PS-ZZ	ASM, HANDLE, ART DECO LEVER, ROSE QUARTZ <i>(incl. 6.4, 6.5, 6.6)</i>	2
for 8702A-GS Series	12	7-100727-GS-ZZ	ASM, HANDLE, ART DECO LEVER, GREEN AVENTURINE <i>(incl. 6.4, 6.5, 6.6)</i>	2